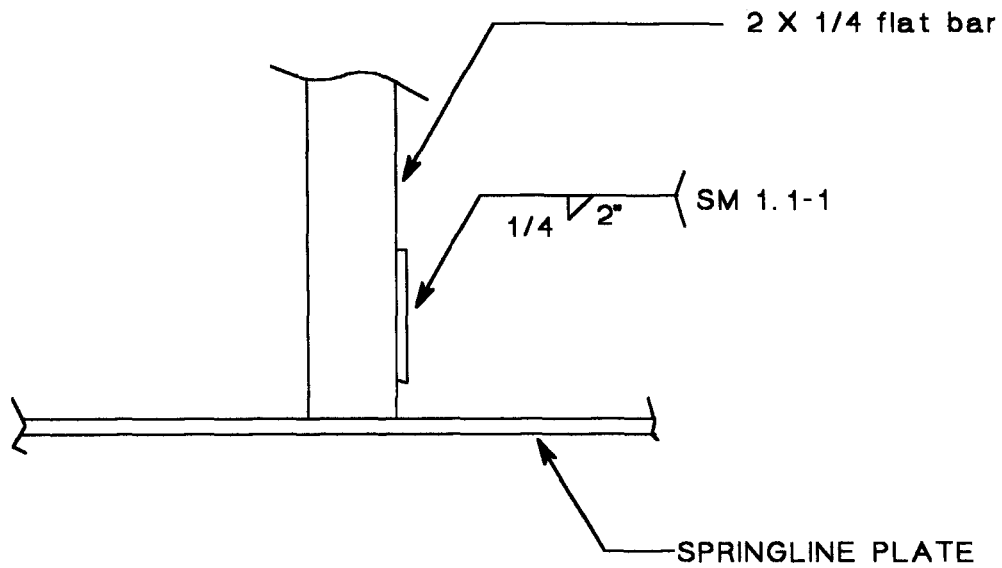


INSPECTED 3/29/98 BY JF & TK



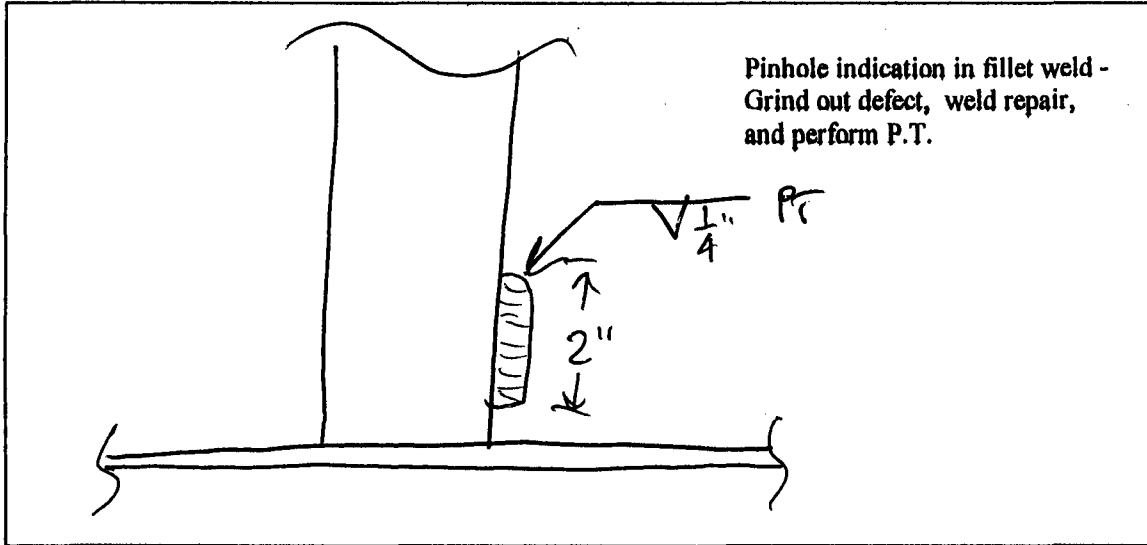
TYPE 10 REPAIR

MID ATLANTIC ENVIRONMENTAL	
EMERGENCY REPAIRS FOR RED HILL TANKS	
Tank #7 RECOMMENDED REPAIR DRAWINGS	
Repair No. 046	File: 7r046
Upper Dome	Quadrant: B
Course: A	Plate: 10
Drawn by: Tom Kitchen	Date: 5/4/98

**Dames & Moore**  
Emergency Repairs For Red Hill Tanks at the Fleet Industrial & Supply Center  
Contract No. N62742-96-C-1356

**Repair Record**

Tank No.: 7 Repair No.: 046 Type: 10 Location: B10-A



Sketch of Repair Area

Weld Repair

WPS No.: SM1.1-1

Welder ID: John Walsh

NDT Performed: Visual  Vacuum Box  Dye Penetrant

Rework Required: N/A

Repair Acceptable: John Zschell Date Accepted: 4-15-98

Coating Repair

Coating Type: EPOXY

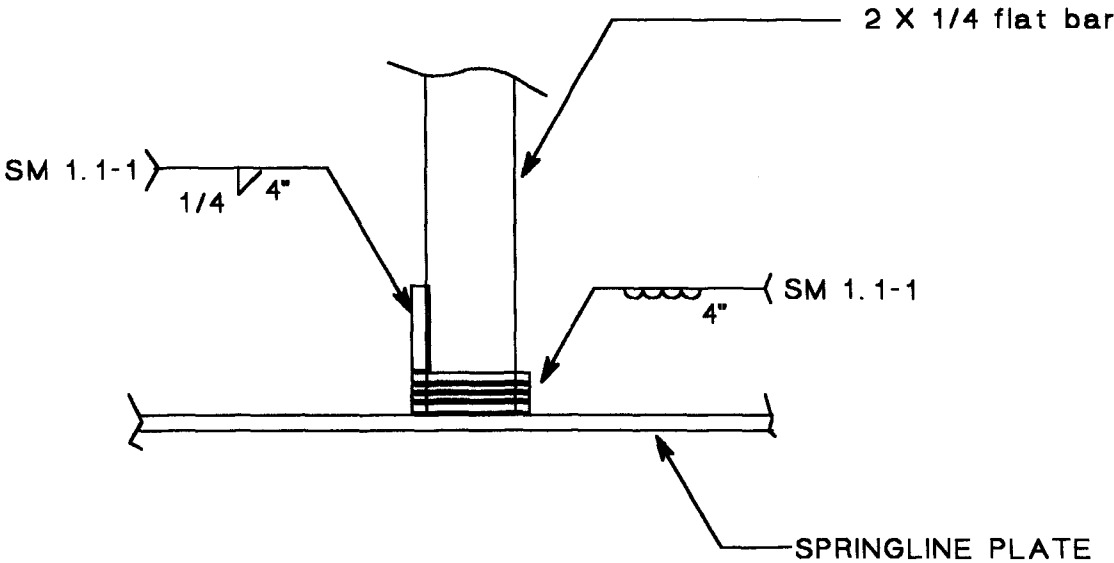
Surface Preparation:  Primer Coat:  Intermediate Coat:  Final Coat:

NDT Performed: Visual:  DFT:  Average DFT: 8-15 mils

Rework Required: N/A

Repair Acceptable: John Zschell Date Accepted: 4-17-98

INSPECTED 3/29/98 BY JF & TK



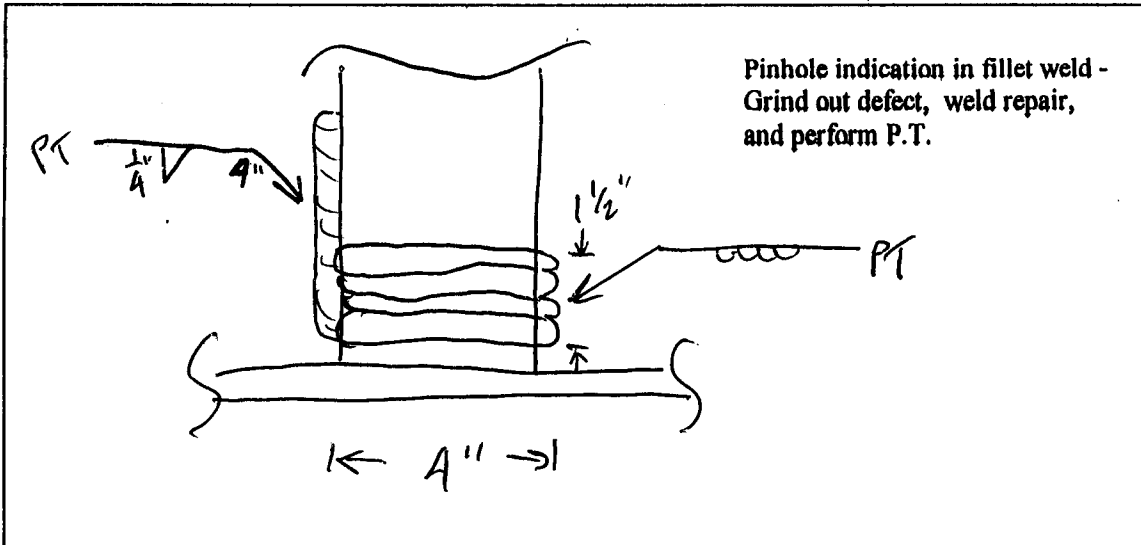
TYPE 10 REPAIR

MID ATLANTIC ENVIRONMENTAL	
EMERGENCY REPAIRS FOR RED HILL TANKS	
Tank #7 RECOMMENDED REPAIR DRAWINGS	
Repair No.: 047	File: 7r047
Upper Dome	Quadrant: B
Course: A	Plate: 11
Drawn by: Tom Kitchen	Date: 5/4/98

**Dames & Moore**  
Emergency Repairs For Red Hill Tanks at the Fleet Industrial & Supply Center  
Contract No. N62742-96-C-1356

**Repair Record**

Tank No.: 7 Repair No.: 047 Type: 10 Location: B11-A



Sketch of Repair Area

Weld Repair

WPS No.: SM 1.1-1

Welder ID: John Walsh

NDT Performed: Visual  Vacuum Box  Dye Penetrant

Rework Required: N/A

Repair Acceptable: John Zurell Date Accepted: 4-15-98

Coating Repair

Coating Type: EPOXY

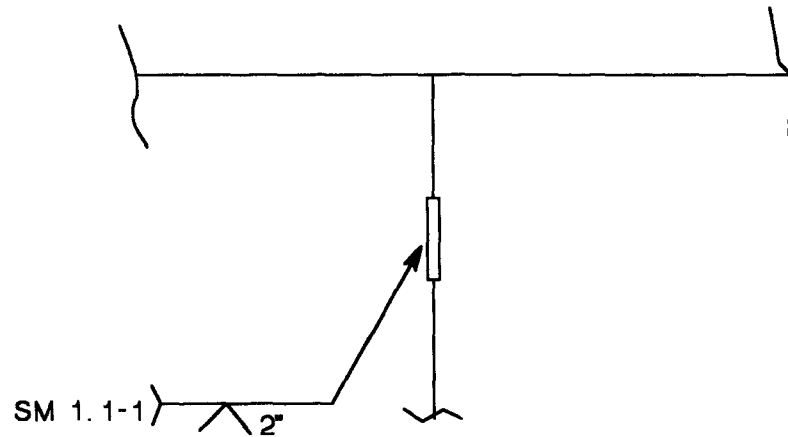
Surface Preparation:  Primer Coat:  Intermediate Coat:  Final Coat:

NDT Performed: Visual:  DFT:  Average DFT: 8-15 mls

Rework Required: N/A

Repair Acceptable: John Zurell Date Accepted: 4-17-98

Inspected 3/27/98 by JF & TK



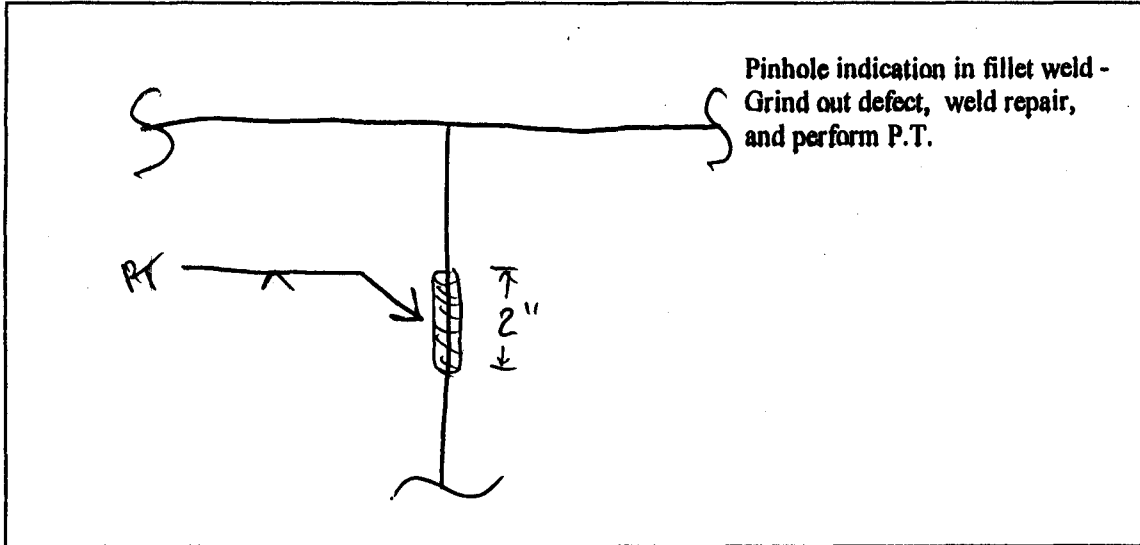
TYPE 9 REPAIR

MID ATLANTIC ENVIRONMENTAL	
EMERGENCY REPAIRS FOR RED HILL TANKS	
Tank #7 RECOMMENDED REPAIR DRAWING	
Repair No.: 048	File: 7R048
CYLINDER	Quadrant: B
Course: 18	Plate: 11
Drawn by: Tom Kitchen	Date: 5/4/98

**Dames & Moore**  
Emergency Repairs For Red Hill Tanks at the Fleet Industrial & Supply Center  
Contract No. N62742-96-C-1356

**Repair Record**

Tank No.: 7 Repair No.: 048 Type: 9 Location: B11-8



Sketch of Repair Area

Weld Repair

WPS No.: SM1.1-1

Welder ID: John Walsh

NDT Performed: Visual  Vacuum Box  Dye Penetrant

Rework Required: N/A

Repair Acceptable: John Zehell Date Accepted: 4-15-98

Coating Repair

Coating Type: EPOXY

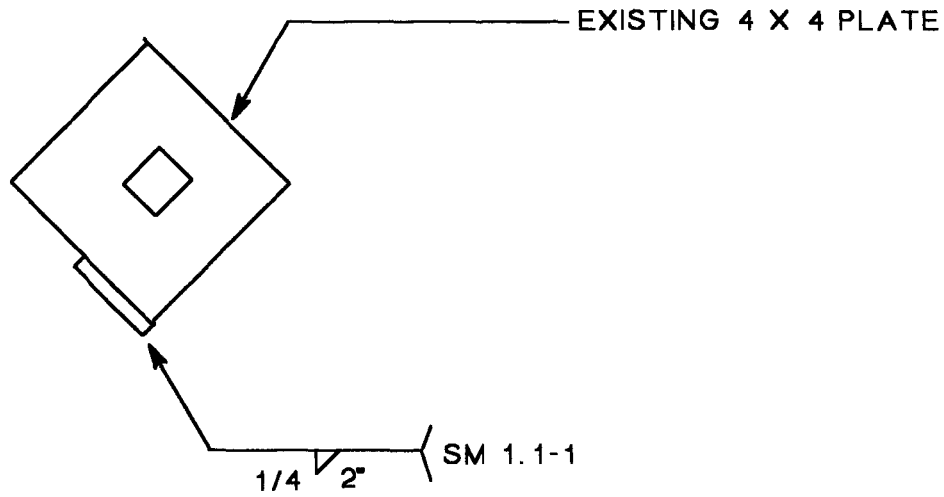
Surface Preparation:  Primer Coat:  Intermediate Coat:  Final Coat:

NDT Performed: Visual:  DFT:  Average DFT: 8-15 mils

Rework Required: N/A

Repair Acceptable: John Zehell Date Accepted: 4-17-98

Inspected 3/29/98 by JF & TK



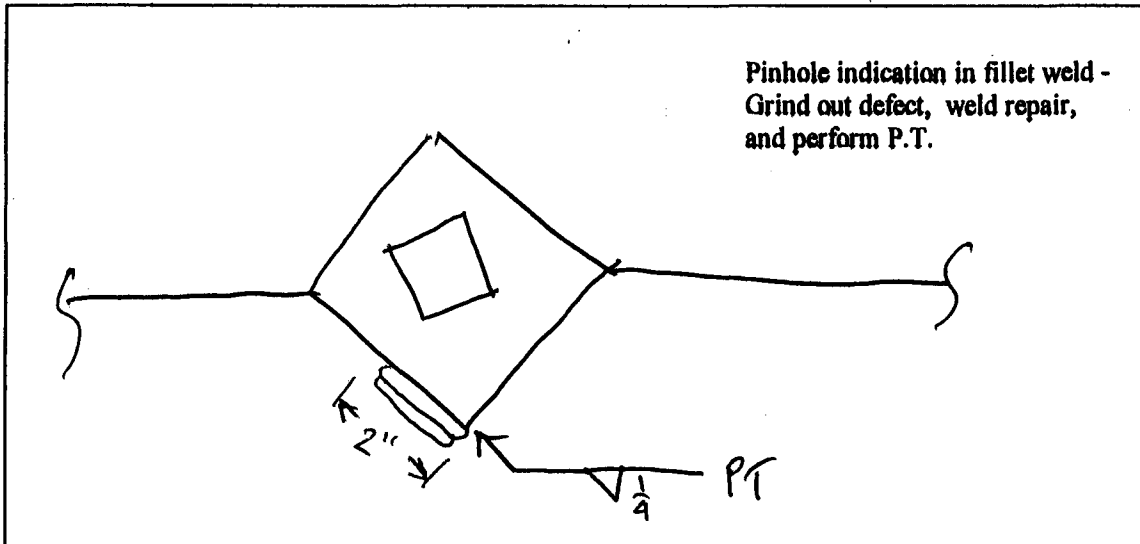
TYPE 10 REPAIR

MID ATLANTIC ENVIRONMENTAL	
EMERGENCY REPAIRS FOR RED HILL TANKS	
Tank #7 REPAIR DRAWING	
Repair No. : 049	File: 7R049
CYLINDER	Quadrant: B
Course: 15	Plate: 9
Drawn by: Tom Kitchen	Date: 5/4/98

**Dames & Moore**  
Emergency Repairs For Red Hill Tanks at the Fleet Industrial & Supply Center  
Contract No. N62742-96-C-1356

**Repair Record**

Tank No.: 7    Repair No.: 049    Type: 10    Location: B9-15



Sketch of Repair Area

Weld Repair

WPS No.: SM1.1-1

Welder ID: John Walsh

NDT Performed:                      Visual     Vacuum Box     Dye Penetrant

Rework Required: N/A

Repair Acceptable: John Zschell                      Date Accepted: 4-15-98

Coating Repair

Coating Type: EPOXY

Surface Preparation:     Primer Coat:     Intermediate Coat:     Final Coat:

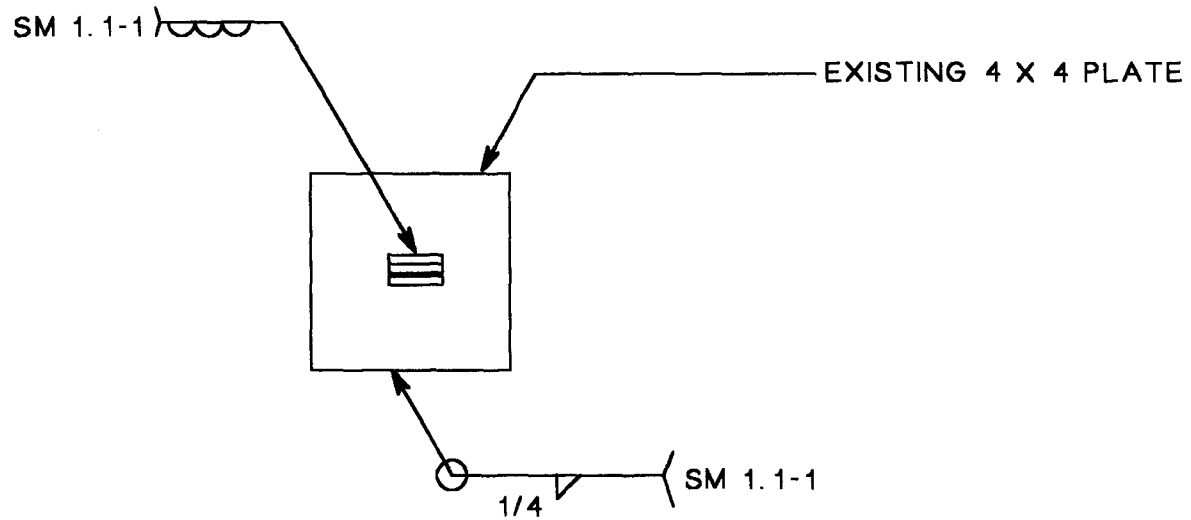
NDT Performed:                      Visual:     DFT:     Average DFT: 8-15 mils

Rework Required: N/A

Repair Acceptable: John Zschell                      Date Accepted: 4-17-98



Inspected 3/29/98 by JF & TK



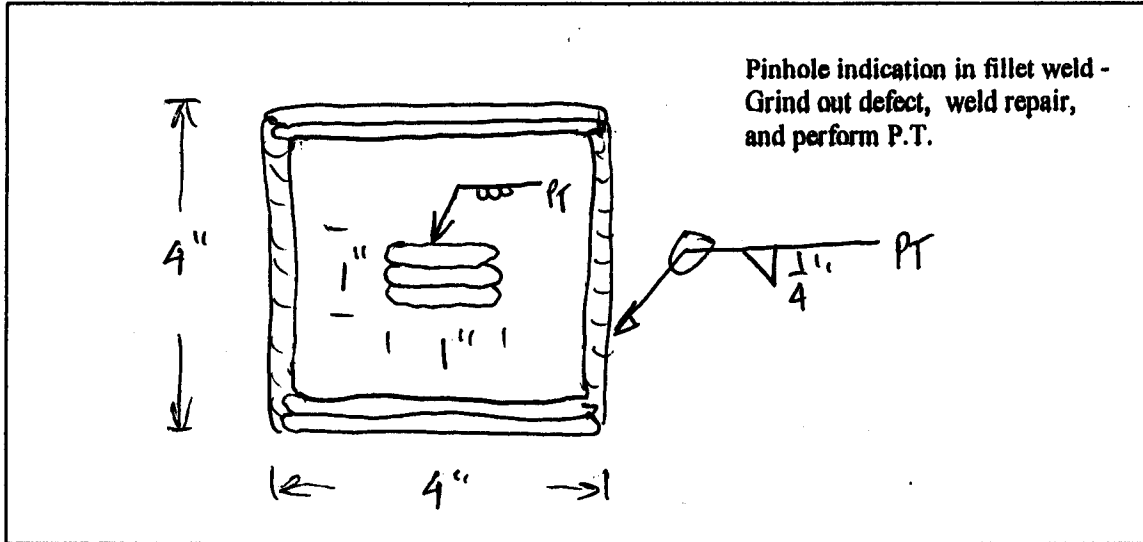
TYPE 10 REPAIR

MID ATLANTIC ENVIRONMENTAL	
EMERGENCY REPAIRS FOR RED HILL TANKS	
Tank #7 REPAIR DRAWING	
Repair No. : 050	File: 7R050
CYLINDER	Quadrant: B
Course: 28	Plate: 11
Drawn by: Tom Kitchen	Date: 5/4/98

**Dames & Moore**  
Emergency Repairs For Red Hill Tanks at the Fleet Industrial & Supply Center  
Contract No. N62742-96-C-1356

**Repair Record**

Tank No.: 7    Repair No.: 050    Type: 10    Location: B11-28



Sketch of Repair Area

Weld Repair

WPS No.: SM 1.1-1

Welder ID: John Walsh

NDT Performed:                      Visual     Vacuum Box     Dye Penetrant

Rework Required: N/A

Repair Acceptable: John Zurell                      Date Accepted: 4-15-98

Coating Repair

Coating Type: EPOXY

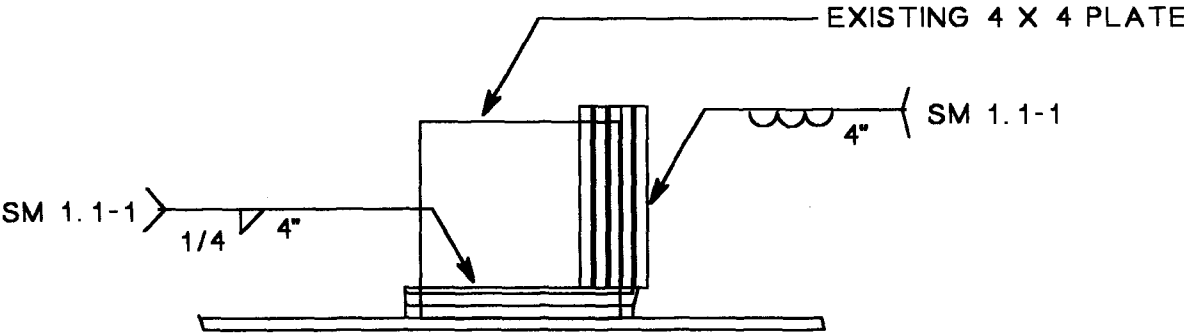
Surface Preparation:     Primer Coat:     Intermediate Coat:     Final Coat:

NDT Performed:                      Visual:     DFT:     Average DFT: 8-15 mls

Rework Required: N/A

Repair Acceptable: John Zurell                      Date Accepted: 4-17-98

Inspected 3/29/98 by JF & TK



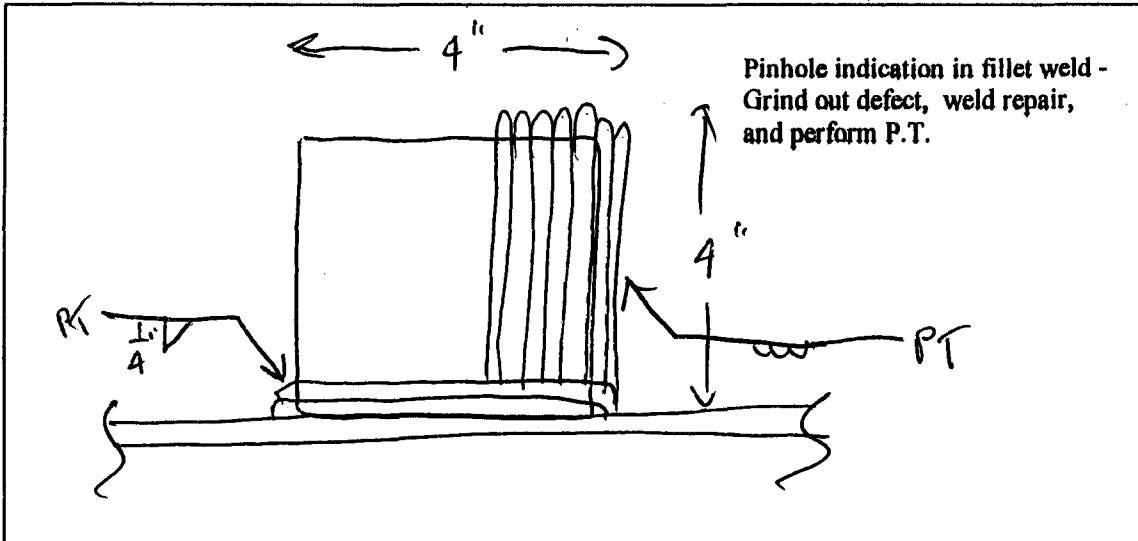
TYPE 10 REPAIR

MID ATLANTIC ENVIRONMENTAL	
EMERGENCY REPAIRS FOR RED HILL TANKS	
Tank #7 REPAIR DRAWING	
Repair No. 051	File 7R051
CYLINDER	Quadrant B
Course 28	Plate 8
Drawn by Tom Kitchen	Date 5/4/98

**Dames & Moore**  
Emergency Repairs For Red Hill Tanks at the Fleet Industrial & Supply Center  
Contract No. N62742-96-C-1356

**Repair Record**

Tank No.: 7 Repair No.: 051 Type: 10 Location: B8-28



Sketch of Repair Area

Weld Repair

WPS No.: SM 1.1-1

Welder ID: John Walsh

NDT Performed: Visual  Vacuum Box  Dye Penetrant

Rework Required: N/A

Repair Acceptable: John Zschell Date Accepted: 4-15-98

Coating Repair

Coating Type: EPOXY

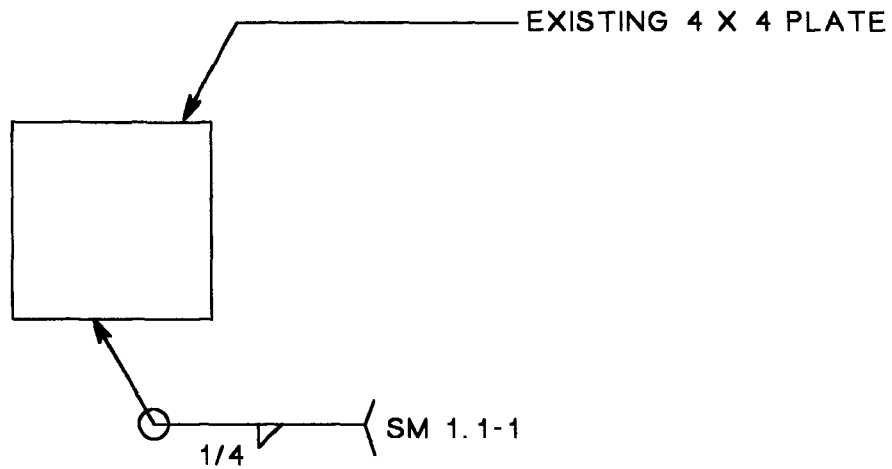
Surface Preparation:  Primer Coat:  Intermediate Coat:  Final Coat:

NDT Performed: Visual:  DFT:  Average DFT: 8-15 mils

Rework Required: N/A

Repair Acceptable: John Zschell Date Accepted: 4-17-98

Inspected 3/29/98 by JF & TK



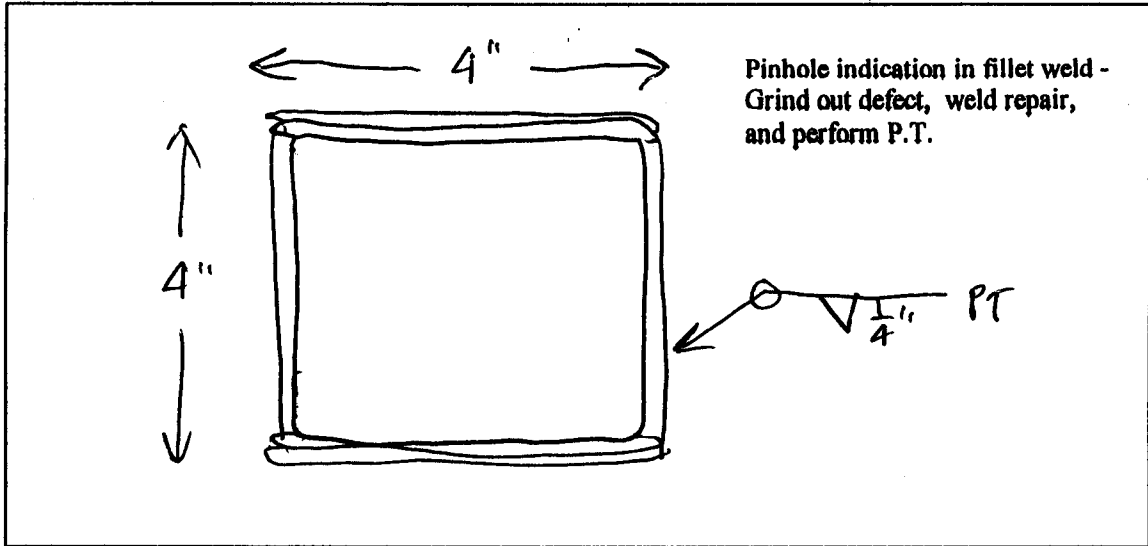
TYPE 10 REPAIR

MID ATLANTIC ENVIRONMENTAL	
EMERGENCY REPAIRS FOR RED HILL TANKS	
Tank #7 REPAIR DRAWING	
Repair No. 052	File: 7R052
CYLINDER	Quadrant: B
Course: 28	Plate: 7
Drawn by: Tom Kitchen	Date: 5/4/98

**Dames & Moore**  
Emergency Repairs For Red Hill Tanks at the Fleet Industrial & Supply Center  
Contract No. N62742-96-C-1356

**Repair Record**

Tank No.: 7 Repair No.: 052 Type: 10 Location: B7-28



Sketch of Repair Area

Weld Repair

WPS No.: SM 1.1-1

Welder ID: John Walsh

NDT Performed: Visual  Vacuum Box  Dye Penetrant

Rework Required: N/A

Repair Acceptable: John Zschell

Date Accepted: 4-15-98

Coating Repair

Coating Type: EPOXY

Surface Preparation:  Primer Coat:  Intermediate Coat:  Final Coat:

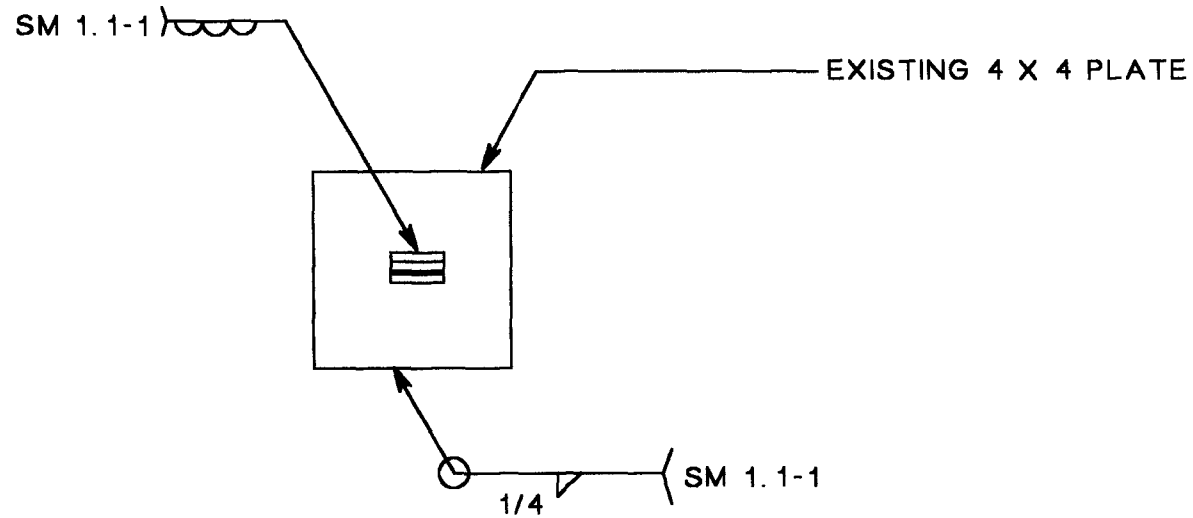
NDT Performed: Visual:  DFT:  Average DFT: 8-15 mils

Rework Required: N/A

Repair Acceptable: John Zschell

Date Accepted: 4-17-98

Inspected 3/29/98 by JF & TK



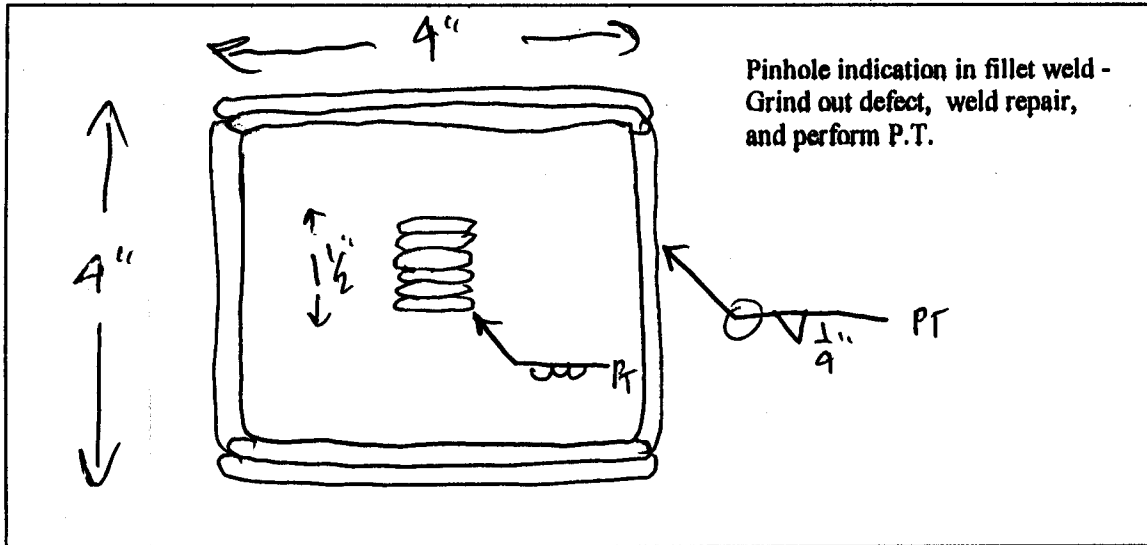
TYPE 10 REPAIR

MID ATLANTIC ENVIRONMENTAL	
EMERGENCY REPAIRS FOR RED HILL TANKS	
Tank #7 RECOMMENDED REPAIR DRAWING	
Repair No. 053	File 7R053
CYLINDER	Quadrant B
Course 28	Plate 6
Drawn by Tom Kitchen	Date 5/4/98

**Dames & Moore**  
Emergency Repairs For Red Hill Tanks at the Fleet Industrial & Supply Center  
Contract No. N62742-96-C-1356

**Repair Record**

Tank No.: 7 Repair No.: 053 Type: 10 Location: B6-28



Sketch of Repair Area

Weld Repair

WPS No.: SMI.1-1

Welder ID: John Walsh

NDT Performed: Visual  Vacuum Box  Dye Penetrant

Rework Required: N/A

Repair Acceptable: John Zschell Date Accepted: 4.15.98

Coating Repair

Coating Type: EPOXY

Surface Preparation:  Primer Coat:  Intermediate Coat:  Final Coat:

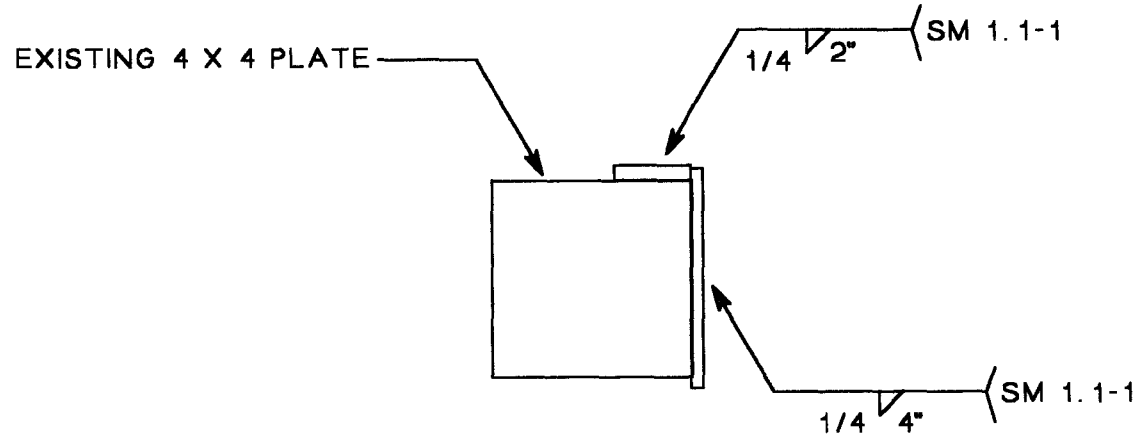
NDT Performed: Visual:  DFT:  Average DFT: 8-15 mils

Rework Required: N/A

Repair Acceptable: John Zschell Date Accepted: 4.17.98



Inspected 3/29/98 by JF & TK



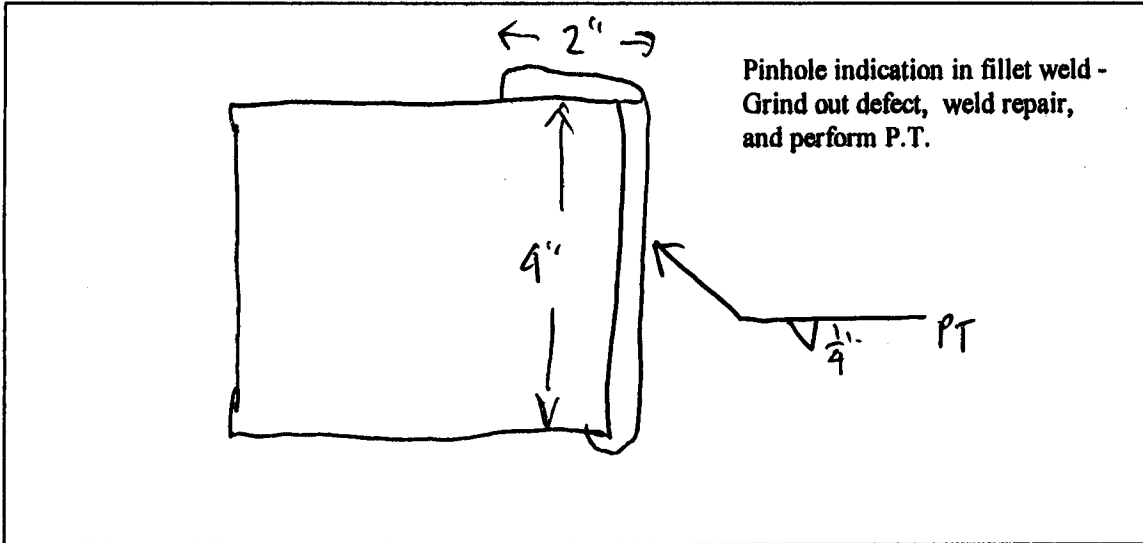
TYPE 10 REPAIR

MID ATLANTIC ENVIRONMENTAL	
EMERGENCY REPAIRS FOR RED HILL TANKS	
Tank #7 RECOMMENDED REPAIR DRAWING	
Repair No.: 054	File: 7R054
CYLINDER	Quadrant: B
Course: 28	Plate: 5
Drawn by: Tom Kitchen	Date: 5/4/98

**Dames & Moore**  
Emergency Repairs For Red Hill Tanks at the Fleet Industrial & Supply Center  
Contract No. N62742-96-C-1356

**Repair Record**

Tank No.: 7 Repair No.: 054 Type: 10 Location: B5-28



Sketch of Repair Area

Weld Repair

WPS No.: SM 1.1-1

Welder ID: John Walsh

NDT Performed: Visual  Vacuum Box  Dye Penetrant

Rework Required: N/A

Repair Acceptable: John Zibrell

Date Accepted: 4-15-98

Coating Repair

Coating Type: EPOXY

Surface Preparation:  Primer Coat:  Intermediate Coat:  Final Coat:

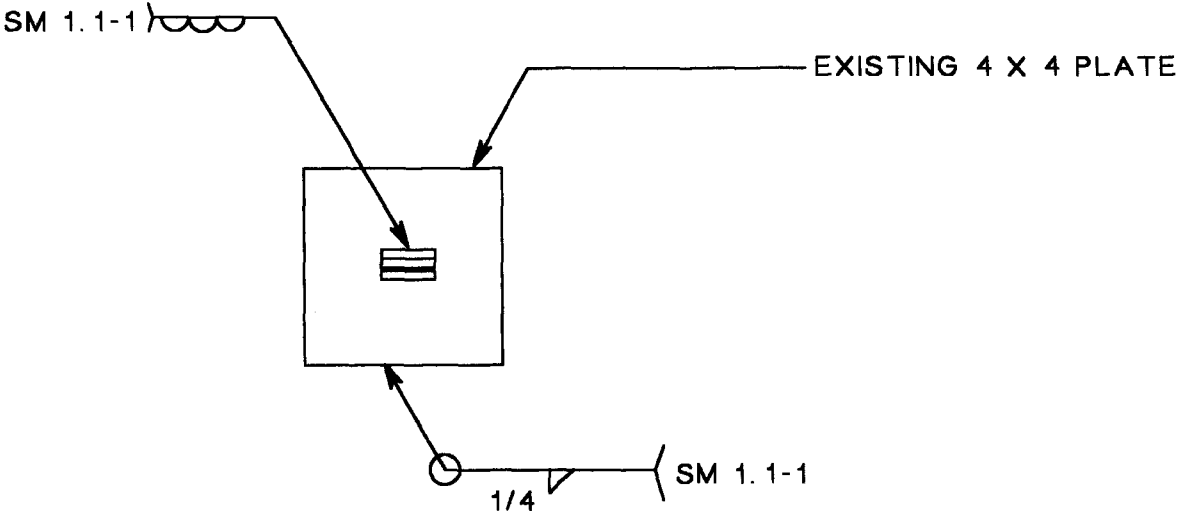
NDT Performed: Visual:  DFT:  Average DFT: 8-15 mils

Rework Required: N/A

Repair Acceptable: John Zibrell

Date Accepted: 4-17-98

Inspected 3/29/98 by JF & TK



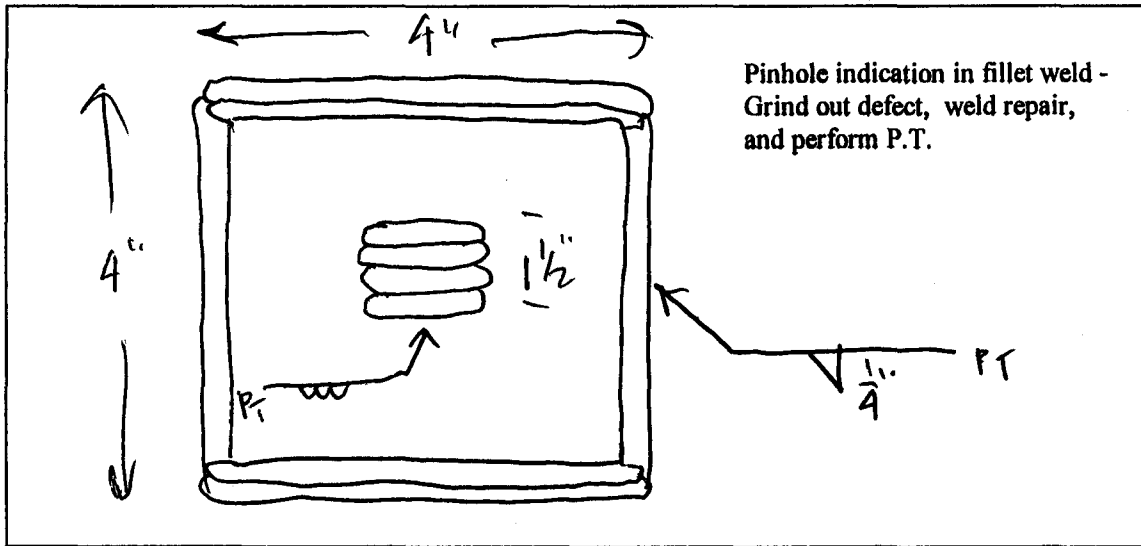
TYPE 10 REPAIR

MID ATLANTIC ENVIRONMENTAL	
EMERGENCY REPAIRS FOR RED HILL TANKS	
Tank #7 RECOMMENDED REPAIR DRAWING	
Repair No.: 055	File: 7R055
CYLINDER	Quadrant: A
Course: 28	Plate: 4
Drawn by: Tom Kitchen	Date: 5/4/98

**Dames & Moore**  
Emergency Repairs For Red Hill Tanks at the Fleet Industrial & Supply Center  
Contract No. N62742-96-C-1356

**Repair Record**

Tank No.: 7 Repair No.: 055 Type: 10 Location: B4-28



Sketch of Repair Area

Weld Repair

WPS No.: SM 1.1-1

Welder ID: John Walsh

NDT Performed: Visual  Vacuum Box  Dye Penetrant

Rework Required: N/A

Repair Acceptable: John Zschell

Date Accepted: 4-15-98

Coating Repair

Coating Type: EPOXY

Surface Preparation:  Primer Coat:  Intermediate Coat:  Final Coat:

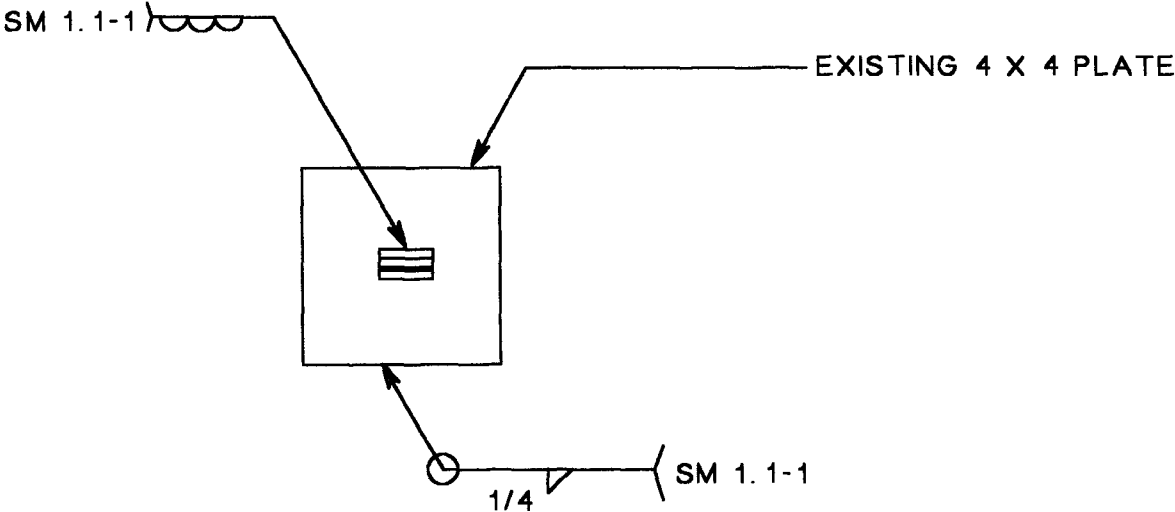
NDT Performed: Visual:  DFT:  Average DFT: 8-15

Rework Required: N/A

Repair Acceptable: John Zschell

Date Accepted: 4-17-98

Inspected 3/29/98 by JF & TK

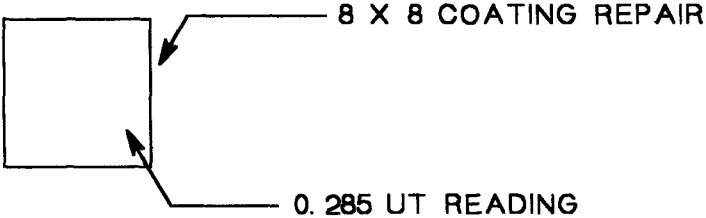


TYPE 10 REPAIR

MID ATLANTIC ENVIRONMENTAL	
EMERGENCY REPAIRS FOR RED HILL TANKS	
Tank #7 RECOMMENDED REPAIR DRAWING	
Repair No. 056	File 7R056
CYLINDER	Quadrant A
Course 28	Plate 2
Drawn by Tom Kitchen	Date 5/4/98



Inspected 3/29/98 by JF & TK



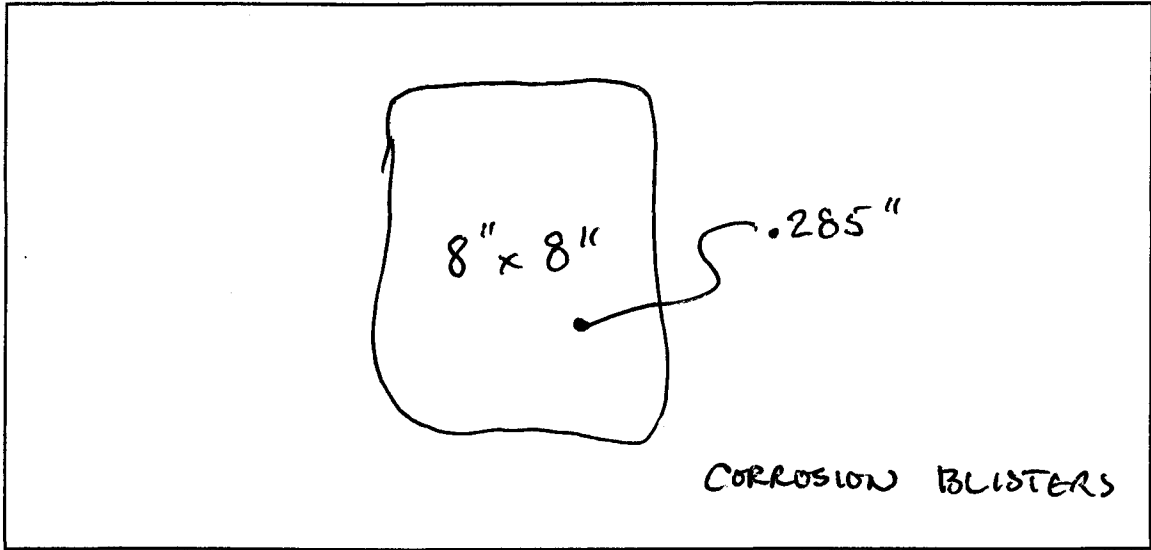
TYPE 8 REPAIR

MID ATLANTIC ENVIRONMENTAL	
EMERGENCY REPAIRS FOR RED HILL TANKS	
Tank #7 RECOMMENDED REPAIR DRAWING	
Repair No. : 057	File: 7R057
LOWER DOME	Quadrant: B
Course: 3	Plate: 11
Drawn by: Tom Kitchen	Date: 5/4/98

**Dames & Moore**  
Emergency Repairs For Red Hill Tanks at the Fleet Industrial & Supply Center  
Contract No. N62742-96-C-1356

Repair Record

Tank No.: 7    Repair No.: 057    Type: 0    Location: B11-3



Sketch of Repair Area

Weld Repair    N/A

WPS No.: \_\_\_\_\_

Welder ID: \_\_\_\_\_

NDT Performed:                      Visual     Vacuum Box     Dye Penetrant

Rework Required: \_\_\_\_\_

Repair Acceptable: \_\_\_\_\_                      Date Accepted: \_\_\_\_\_

Coating Repair

Coating Type: EPOXY

Surface Preparation:     Primer Coat:     Intermediate Coat:     Final Coat:

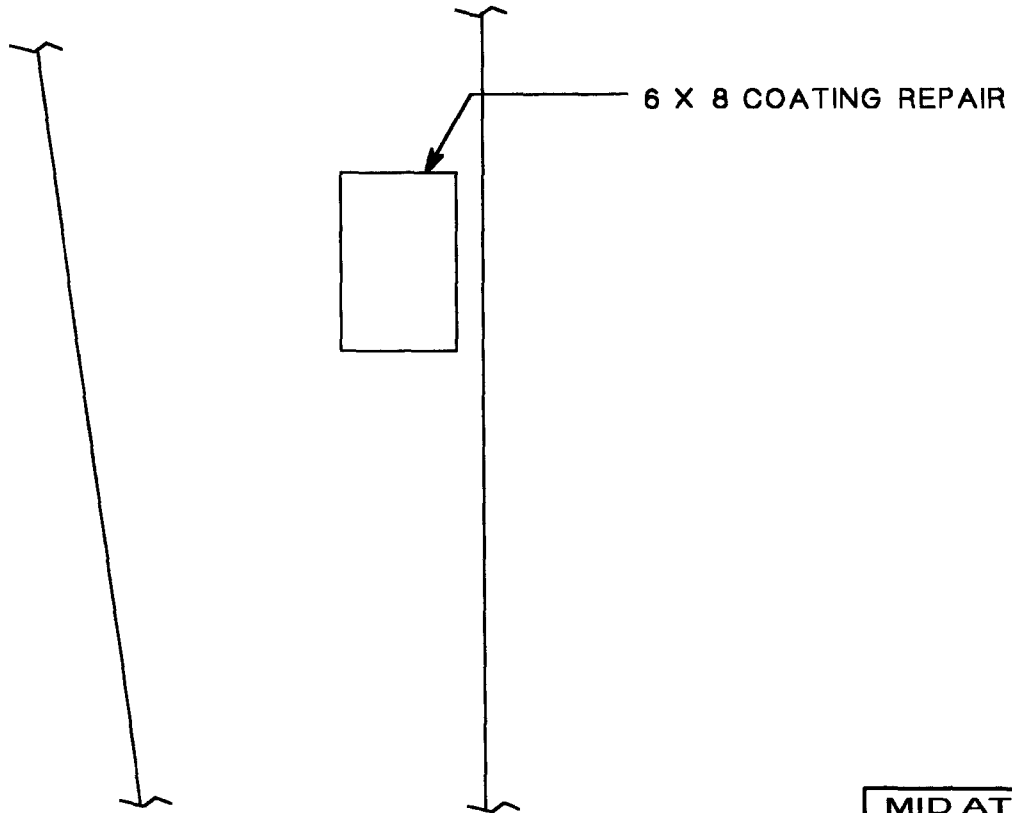
NDT Performed:                      Visual:     DFT:     Average DFT: 8-15 mils

Rework Required: N/A

Repair Acceptable: John Zachell                      Date Accepted: 4-17-98



Inspected 3/29/98 by JF & TK



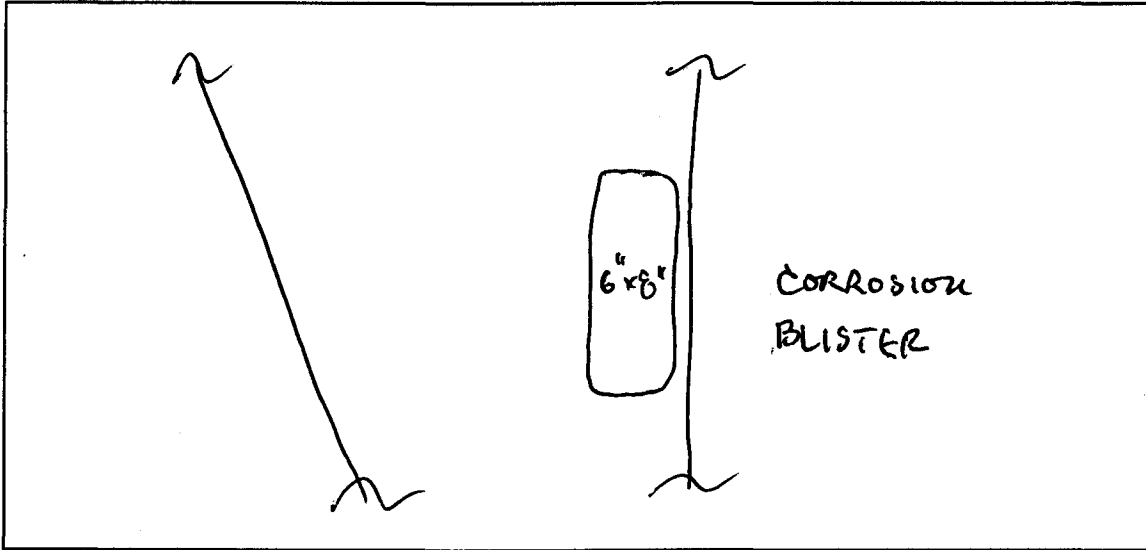
TYPE 8 REPAIR

MID ATLANTIC ENVIRONMENTAL	
EMERGENCY REPAIRS FOR RED HILL TANKS	
Tank #7 RECOMMENDED REPAIR DRAWING	
Repair No.: 058	File: 7R058
Lower Dome	Quadrant: B
Course: 3	Plate: 11
Drawn by: Tom Kitchen	Date: 5/4/98

**Dames & Moore**  
Emergency Repairs For Red Hill Tanks at the Fleet Industrial & Supply Center  
Contract No. N62742-96-C-1356

**Repair Record**

Tank No.: 7    Repair No.: 058    Type: 8    Location: B11-3



Sketch of Repair Area

Weld Repair    N/A

WPS No.: \_\_\_\_\_

Welder ID: \_\_\_\_\_

NDT Performed:                      Visual     Vacuum Box     Dye Penetrant

Rework Required: \_\_\_\_\_

Repair Acceptable: \_\_\_\_\_                      Date Accepted: \_\_\_\_\_

Coating Repair

Coating Type: EPOXY

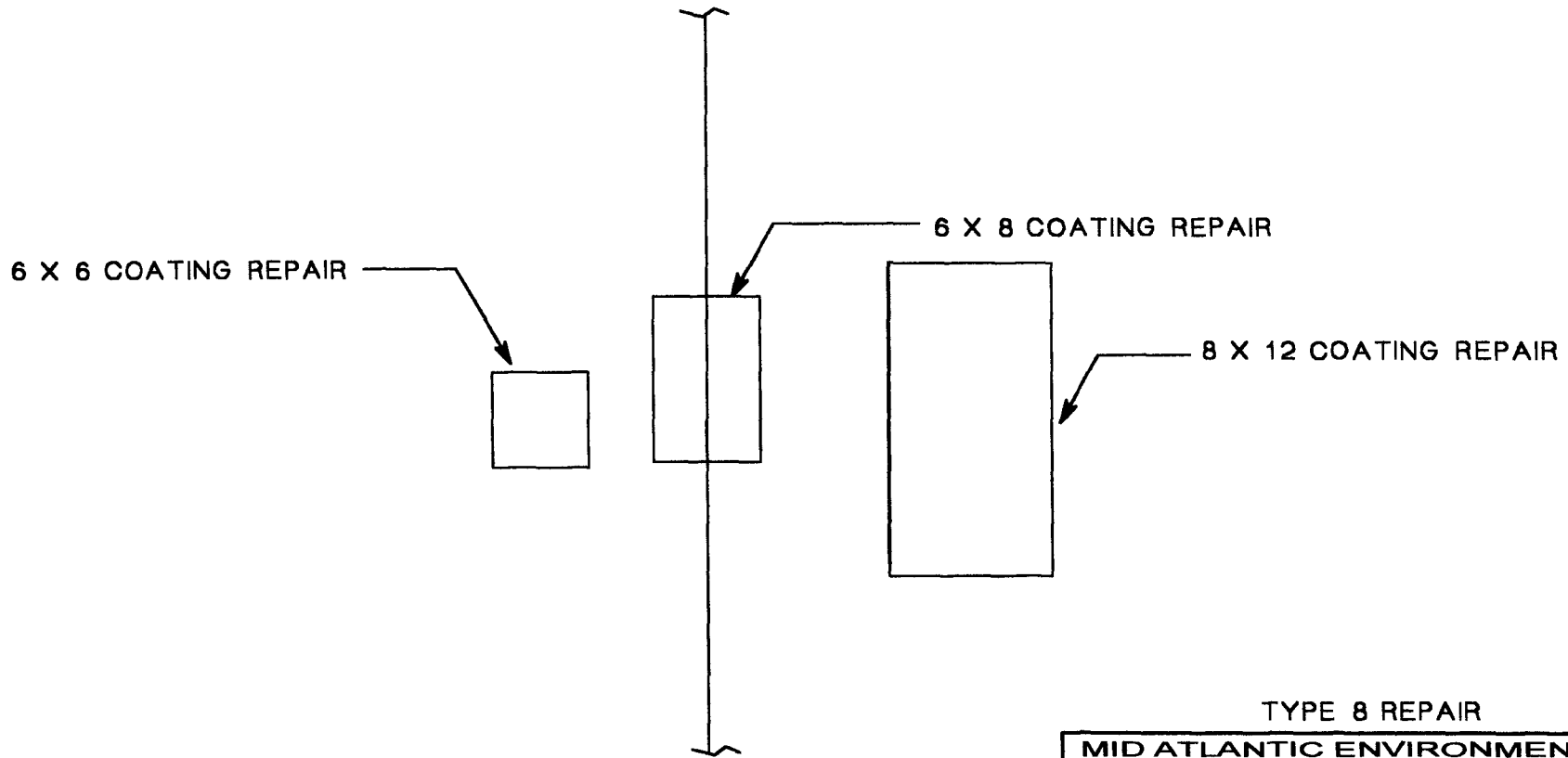
Surface Preparation:     Primer Coat:     Intermediate Coat:     Final Coat:

NDT Performed:                      Visual:     DFT:     Average DFT: 8-15 m.l.s

Rework Required: N/A

Repair Acceptable: John Zachell                      Date Accepted: 4-17-98

Inspected 3/29/98 by JF & TK



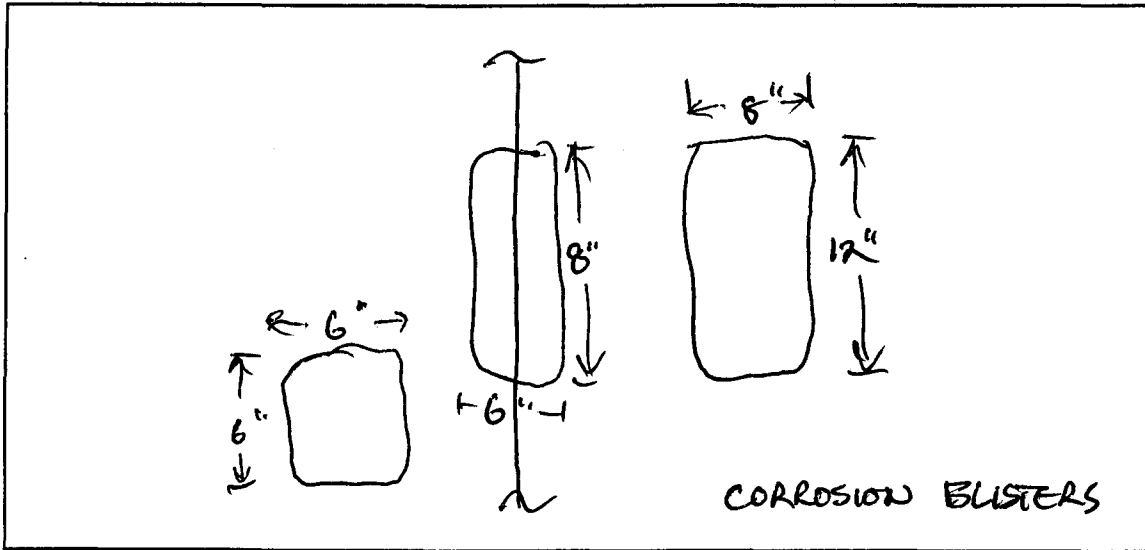
TYPE 8 REPAIR

MID ATLANTIC ENVIRONMENTAL	
EMERGENCY REPAIRS FOR RED HILL TANKS	
Tank #7 RECOMMENDED REPAIR DRAWING	
Repair No.: 059	File: 7R059
Lower Dome	Quadrant: A
Course: 3	Plate: 3
Drawn by: Tom Kitchen	Date: 5/4/98

**Dames & Moore**  
Emergency Repairs For Red Hill Tanks at the Fleet Industrial & Supply Center  
Contract No. N62742-96-C-1356

Repair Record

Tank No.: 7    Repair No.: 059    Type: 8    Location: A3-3



Sketch of Repair Area

Weld Repair    N/A

WPS No.: \_\_\_\_\_

Welder ID: \_\_\_\_\_

NDT Performed:                      Visual \_\_\_\_\_    Vacuum Box \_\_\_\_\_    Dye Penetrant \_\_\_\_\_

Rework Required: \_\_\_\_\_

Repair Acceptable: \_\_\_\_\_                      Date Accepted: \_\_\_\_\_

Coating Repair

Coating Type: EPOXY

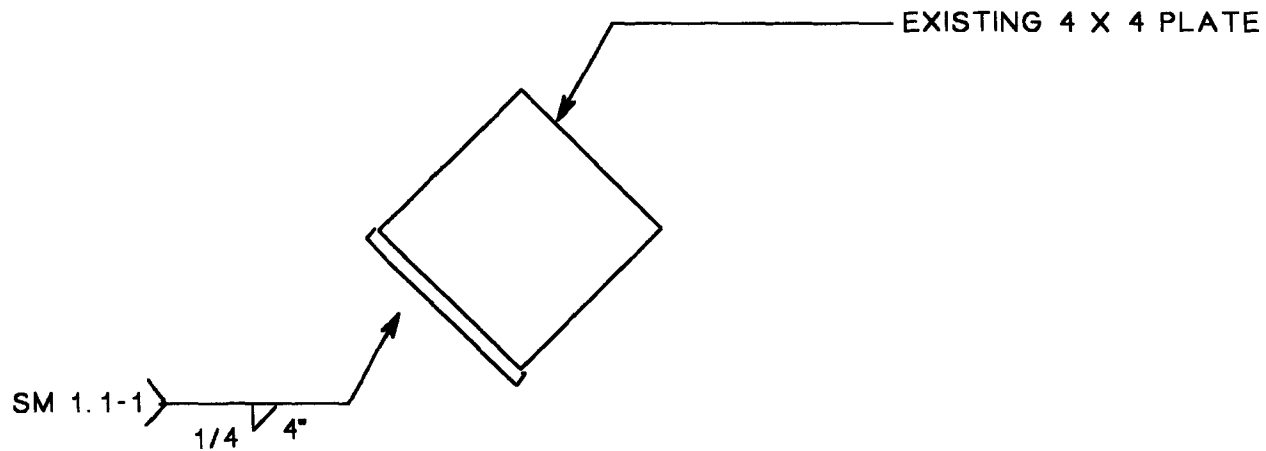
Surface Preparation:     Primer Coat:     Intermediate Coat:     Final Coat:

NDT Performed:                      Visual:                       DFT:                       Average DFT: 8-15 mils

Rework Required: N/A

Repair Acceptable: John Zschell                      Date Accepted: 4.17.98

Inspected 3/29/98 by JF & TK



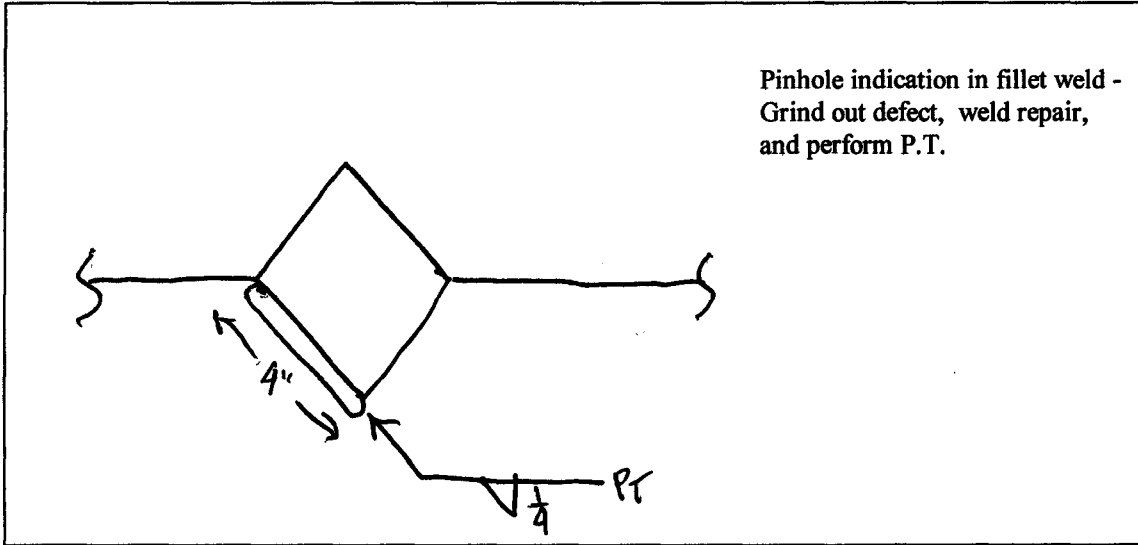
TYPE 10 REPAIR

MID ATLANTIC ENVIRONMENTAL	
EMERGENCY REPAIRS FOR RED HILL TANKS	
Tank #7 RECOMMENDED REPAIR DRAWING	
Repair No.: 060	File: 7R060
CYLINDER	Quadrant: A
Course: 17	Plate: 1
Drawn by: Tom Kitchen	Date: 5/4/98

**Dames & Moore**  
Emergency Repairs For Red Hill Tanks at the Fleet Industrial & Supply Center  
Contract No. N62742-96-C-1356

**Repair Record**

Tank No.: 7    Repair No.: 060    Type: 10    Location: A1-17



Sketch of Repair Area

Weld Repair

WPS No.: SM1.1-1

Welder ID: John Walsh

NDT Performed:                      Visual     Vacuum Box     Dye Penetrant

Rework Required: N/A

Repair Acceptable: John Zudrell                      Date Accepted: 4-15-98

Coating Repair

Coating Type: Epoxy

Surface Preparation:     Primer Coat:     Intermediate Coat:     Final Coat:

NDT Performed:                      Visual:     DFT:     Average DFT: 8-15 mils

Rework Required: N/A

Repair Acceptable: John Zudrell                      Date Accepted: 4-17-98