

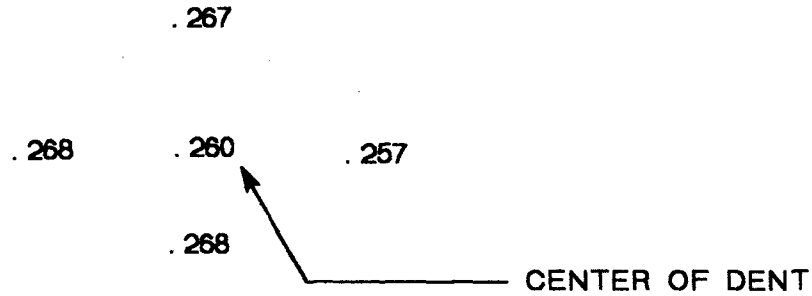
Section 9

RECOMMENDED REPAIRS

TANK	0										
Repair #	TYPE	Actual	Coated Areas	Plate size	Weld Lgth	Location	Quadrant	Course	Plate	Comments	
		Repair	Square Inches	Inches	Inches						
1	7					Upper Dome	C	B	17	UT only	
2	3	10	100		8	Upper Dome	D	B	19		
3	3					Upper Dome	C	B	13	UT only	
4	3	10	40		2	Upper Dome	D	B	24		
5	5	5	200	12 X 12	48	Upper Dome	C	EXT	13		
6	3	10	100		4	Upper Dome	C	EXT	16		
7	5	5	100	5 X 5	20	Upper Dome	C	EXT	18		
8	5	5	150	6 X 8	28	Upper Dome	C	EXT	18		
9	5	5	100	5 X 5	20	Upper Dome	C	EXT	19		
10	1	10	20		6	Upper Dome	A	C	1		
11	1	1	30			Cylinder	D	3	19		
20	2	5	100	5 X 5	20	Upper Dome	A	C	5		
30	3	10	100		3	Upper Dome	B	C	10		
40	5	8	100			Upper Dome	B	C	12		
50	2	2	36		4	Upper Dome	A	C	4		
60	3	10	100		4	Upper Dome	A	B	3		
70	3	10	100		4	Upper Dome	A	C	3		
80	3					Upper Dome	A	B	3	no defect	
90	8	8	400			Upper Dome	A	B	2		
100	4	11	600		120	Upper Dome	A	B	1		
110	7					Upper Dome	A	A	2	UT only	
120	3	10	100		4	Upper Dome	A	A	3		
130	5	5	100	5 x 5	20	Upper Dome	A	A	3		
131	6	6	150	8 X 8	32	Upper Dome	A	C	5		
140	7					Upper Dome	A	A	4	UT only	
150	3	10	40		3	Upper Dome	A	A	4		
160	3	10	80		6	Upper Dome	A	A	5		
170	7	5	100	3 X 8	22	Upper Dome	A	A	5		
180	5	5	100	5 X 5	20	Upper Dome	B	EXT	9		
190	5	5	100	5 X 5	20	Upper Dome	B	EXT	9		
200	5	5	100	5 X 5	20	Upper Dome	B	A	10		
210		5	100	5 X 5	20	Upper Dome	B	EXT	10		
220	5	8	400			Upper Dome	B	EXT	11		
230	8	10	400		10	Cylinder	B	1	11		
240	8	8	800			Upper Dome	B	1	12		
250	8	8	400			Upper Dome	B	EXT	9		
260	5	8	40			Upper Dome	B	EXT	9		
270		8	40			Upper Dome	B	EXT	10		
280	8	8	40			Cylinder	A	7	3		
290	8	8	100			Cylinder	A	7	2		

TANK #10										page 2
Repair #	TYPE	Actual	Coated Areas	Plate size	Weld Lgth	Location	Quadrant	Course	Plate	Comments
		Repair	Square Inches	Inches	Inches					
300	7					Cylinder	A	8	1	not located
310	8	8	40			Cylinder	A	11	2	
320	8	8	40			Cylinder	A	15	2	
330	1	1	400			Lower Dome	B	4	10	
331		8	100			Lower Dome	B	3	11	
332		8	100			Lower Dome	A	3	2	
333		8	40			Lower Dome	B	2	11	
334		8	30			Lower Dome	B	2	9	
335		8	60			Lower Dome	A	2	3	
336		8	30			Lower Dome	A	2	3	
337		8	30			Lower Dome	A	2	3	
338		8	430			Lower Dome	A	2	2	
339		8	220			Lower Dome	A	1	2	
340		8	140			Lower Dome	A	1	3	
341		8	40			Lower Dome	A	1	4	
342		5	240	10 X 12	44	Lower Dome	B	1	11	
347		8	40			Lower Dome	B	1	10	
400	2	8	100			Lower Dome	A	1	9	
410	2	8	100			Lower Dome	A	1	8	
420	2	8	100			Lower Dome	A	1	7	
601		8	80			Lower Dome	B	1	10	
610		8	180			Lower Dome	C	2	12	
620		8	40			Lower Dome	C	2	13	
621		10			4	Bottom	B			
622		3			24	Lower Dome	B	1	12	
623		10			6	Bottom	A			
624		10			96	Lower Dome	B	1	12	
625		10			96	Lower Dome	A	1	4&5	
626		10			96	Lower Dome	D	1	21	
627		10			96	Lower Dome	B	1	7	
628		10			16	Lower Dome	C	1	13	

CALENDER OF EVENTS		
EVENT	BY	DATE
Defect Inspected	TK & JF	2/20/98
Drawing issued to FISC		
Drawing issued to RORIC		
Defect repaired		
Repair Inspected		
Reports to FISC		

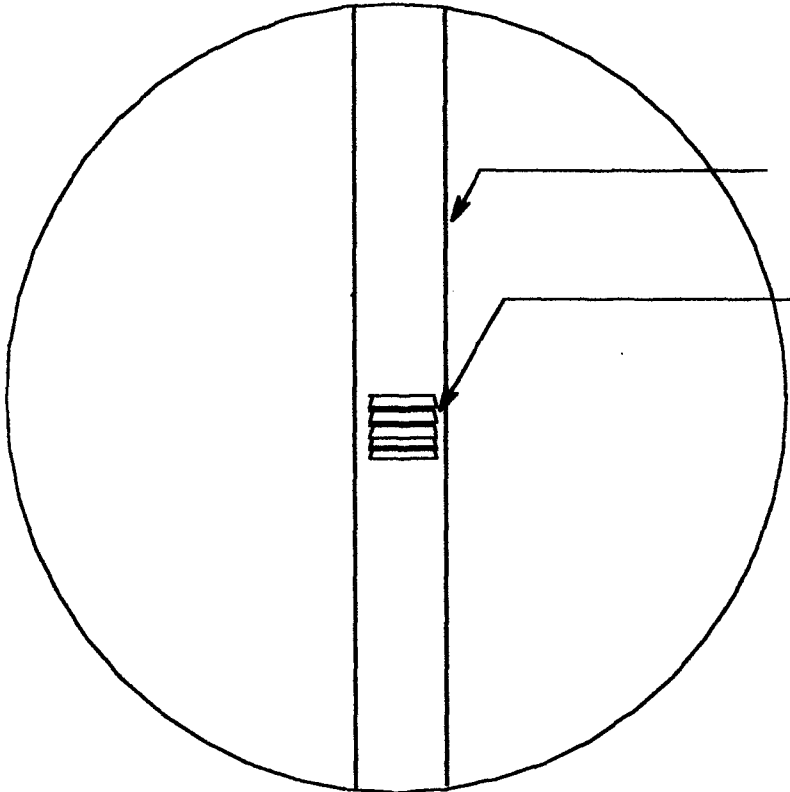


NOTE: DENT OCCURED BEFORE PAINTING. PAINT REPAIR NOT NECESSARY

TYPE 7 REPAIR

O I	ORIGINAL ISSUE	M M	2/20/98
LTR	DESCRIPTION	BY	DATE
REVISIONS			
MID ATLANTIC ENVIRONMENTAL			
EMERGENCY REPAIRS FOR RED HILL TANKS			
Tank #10 AS BUILT DRAWING			
Repair No.:	001	File:	10r001
Upper dome		Quadrant:	C
Course:	B	Plate:	17
Drawn By:	M. Moulton	Date:	2/20/98

CALENDER OF EVENTS		
EVENT	BY	DATE
DEFECT INSPECTED	TK & JF	2/16/98



2" x 1/4" EXISTING FLAT BAR

SM 1.1-1

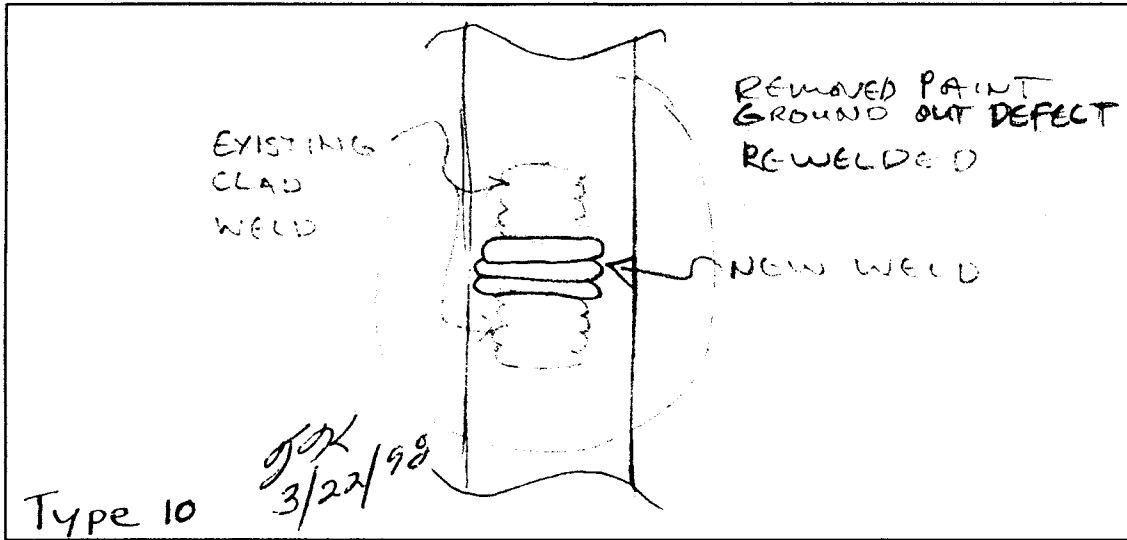
Weld Repair 3

LTR	DESCRIPTION	BY	DATE
REVISIONS			
MID ATLANTIC ENVIRONMENTAL			
EMERGENCY REPAIRS FOR RED HILL TANKS			
Tank #10			
Repair No. 002	File: 10r002		
Upper dome	Quadrant: D		
Course: B	Plate: 19		
Drawn by: Tom Kitchen	Date: 2/20/98		

Dames & Moore
Emergency Repairs For Red Hill Tanks at the Fleet Industrial & Supply Center
Contract No. N62742-96-C-1356

Repair Record

Tank No.: 10 Repair No.: 002 Type: 3 Location: D



Sketch of Repair Area

Weld Repair

WPS No.: SM1.1-1

Welder ID: John Walsh

NDT Performed: Visual Vacuum Box Dye Penetrant

Rework Required: _____

Repair Acceptable: John Zschell Date Accepted: 3-4-98

Coating Repair

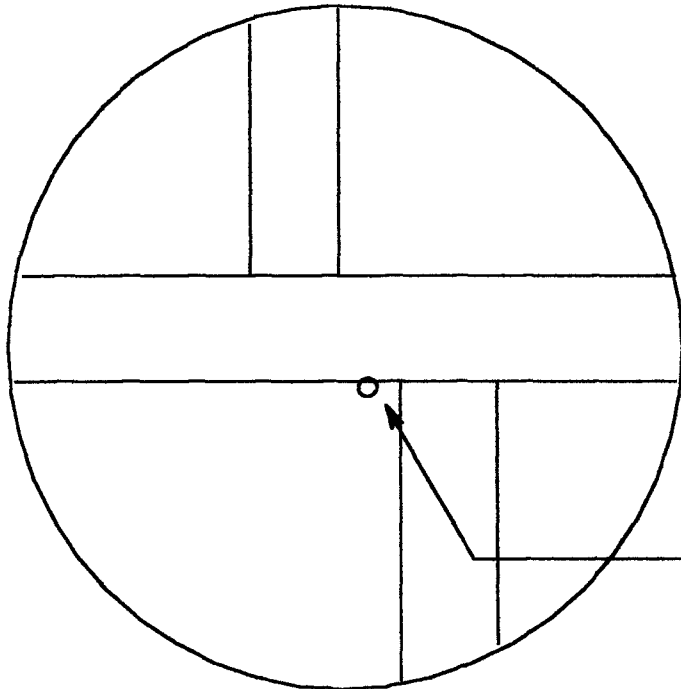
Coating Type: Epoxy

Surface Preparation: Primer Coat: Intermediate Coat: Final Coat:

NDT Performed: Visual: DFT: Average DFT: > 8 mils < 15 mils

Rework Required: N/A

Repair Acceptable: John Zschell Date Accepted: 3-13-98



No Leak Detected

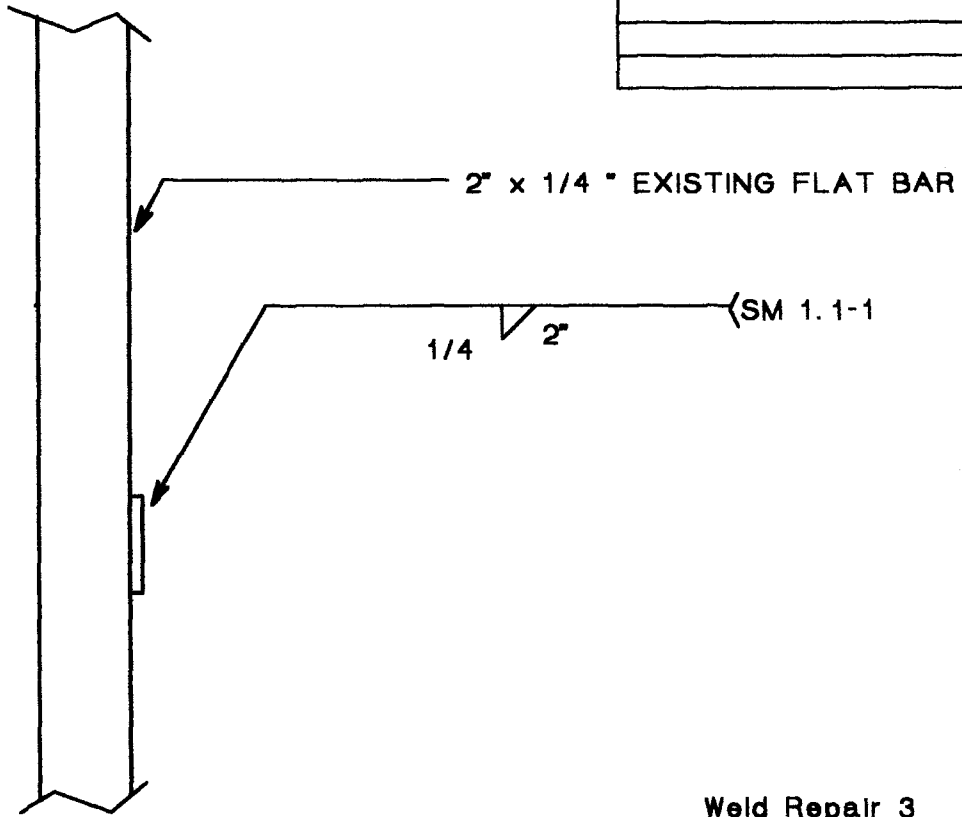
CALENDER OF EVENTS

EVENT	BY	DATE
Defect Inspected	JF & TK	2/16/98
Drawing Issued to FISC		
Drawing Issued to ROICC		
Defect repaired		
Repair Inspected		
Reports to FISC		

no repair required

LTR	DESCRIPTION	BY	DATE
REVISIONS			
MID ATLANTIC ENVIRONMENTAL			
EMERGENCY REPAIRS FOR RED HILL TANKS			
Tank #10			
Repair No.:	003	File:	10r003
Upper dome		Quadrant:	C
Course:	B	Plate:	13
Drawn By:	M. Moulton	Date:	2/19/98

CALENDER OF EVENTS		
EVENT	BY	DATE
Defect Inspected	JF & TK	2/16/98



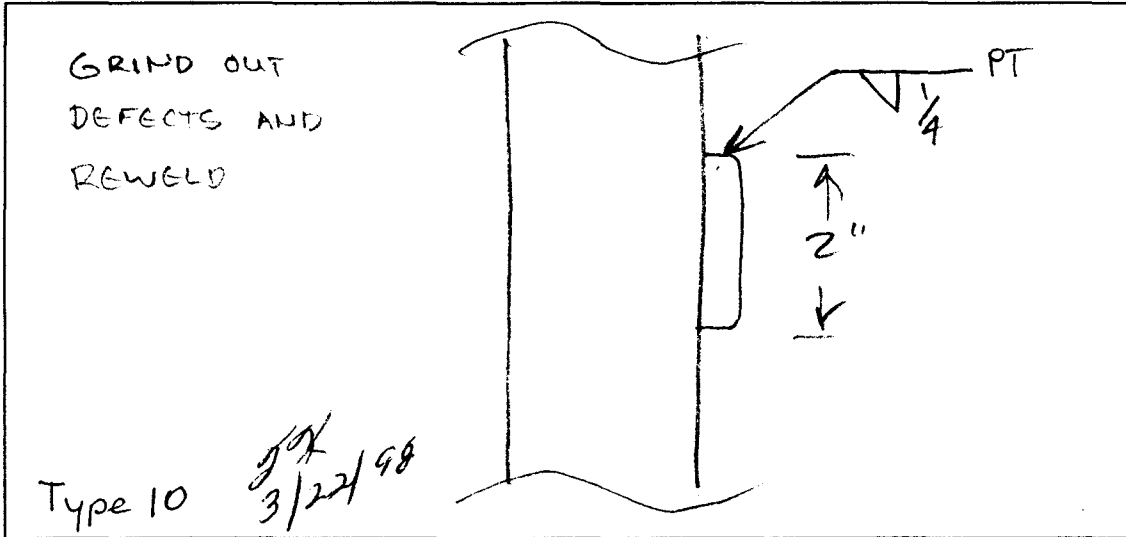
Weld Repair 3

LTR	DESCRIPTION	BY	DATE
REVISIONS			
MID ATLANTIC ENVIRONMENTAL			
EMERGENCY REPAIRS FOR RED HILL TANKS			
Tank #10 AS BUILT DRAWING			
Repair No.: 004	File: 10r004		
Upper dome	Quadrant: D		
Course: B	Plate: 24		
Drawn by: Tom Kitchen	Date: 4/28/98		

Dames & Moore
Emergency Repairs For Red Hill Tanks at the Fleet Industrial & Supply Center
Contract No. N62742-96-C-1356

Repair Record

Tank No.: 10 Repair No.: 004 Type: 3 Location: D



Sketch of Repair Area

Weld Repair

WPS No.: SM1.1-1

Welder ID: John Walsh

NDT Performed: Visual Vacuum Box Dye Penetrant

Rework Required: N/A

Repair Acceptable: John Zachell Date Accepted: 3-4-98

Coating Repair

Coating Type: Epoxy

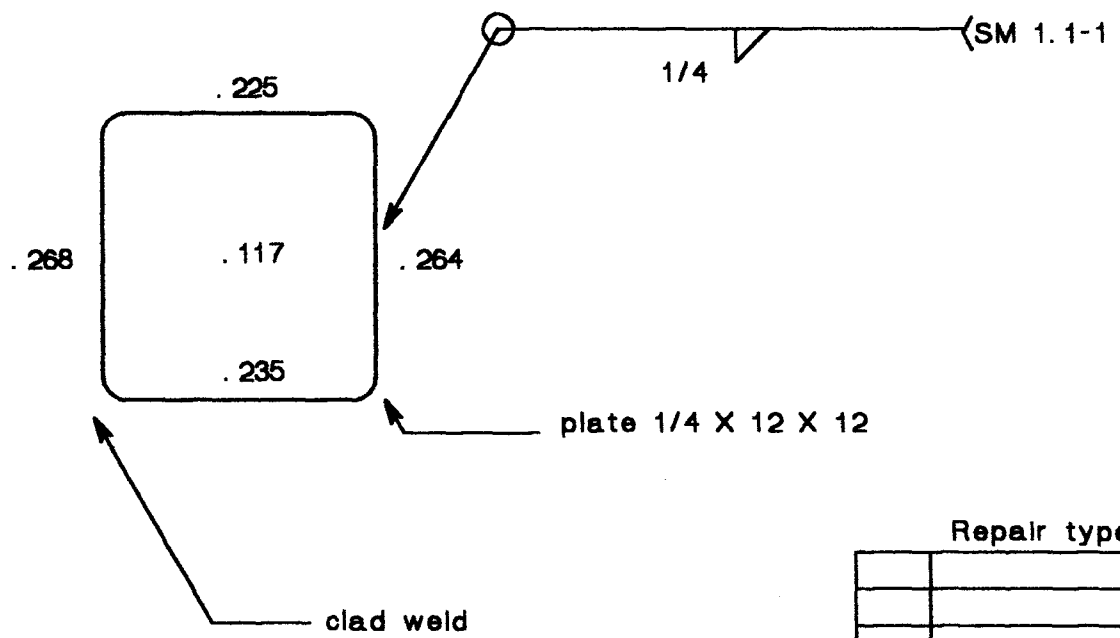
Surface Preparation: Primer Coat: Intermediate Coat: Final Coat:

NDT Performed: Visual: DFT: Average DFT: > 8 mils < 15 mils

Rework Required: N/A

Repair Acceptable: John Zachell Date Accepted: 3-13-98

CALENDER OF EVENTS		
EVENT	BY	DATE
Defect Inspected	JF & TK	2/19/98

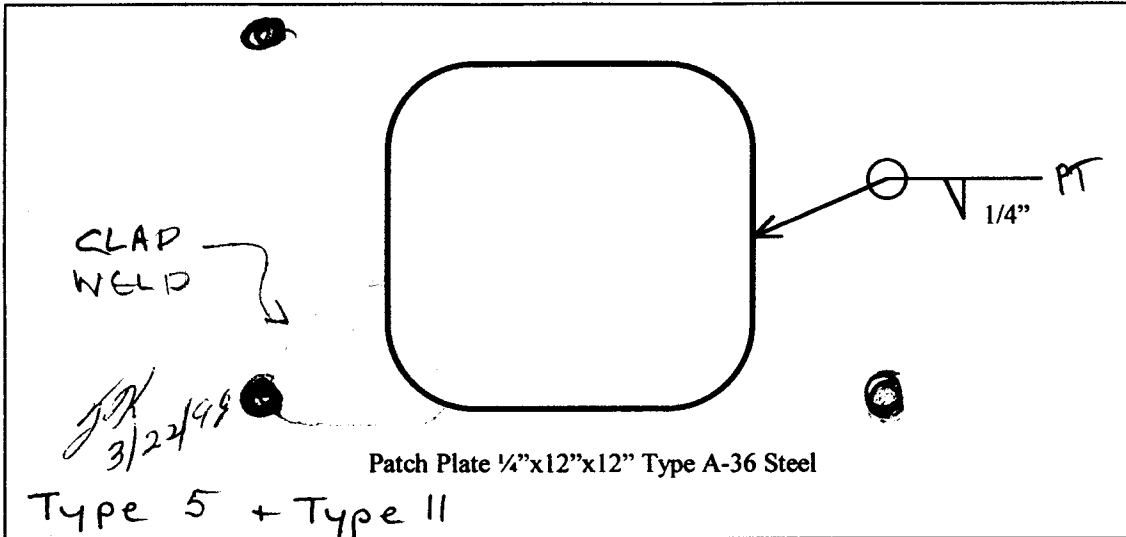


Repair type 5			
LTR	DESCRIPTION	BY	DATE
REVISIONS			
MID ATLANTIC ENVIRONMENTAL			
EMERGENCY REPAIRS FOR RED HILL TANKS			
Tank #10			
Repair No.: 005		File: 10r005	
Upper dome		Quadrant: D	
Course: B		Plate: 24	
Drawn by: Tom Kitchen		Date: 4/28/98	

Dames & Moore
Emergency Repairs For Red Hill Tanks at the Fleet Industrial & Supply Center
Contract No. N62742-96-C-1356

Repair Record

Tank No.: 10 Repair No.: ~~003~~ ⁰⁰⁵ Type: 5 Location: C



Sketch of Repair Area

Weld Repair

WPS No.: SM1.1-1

Welder ID: John Walsh

NDT Performed: Visual Vacuum Box Dye Penetrant

Rework Required: _____

Repair Acceptable: John Zschell Date Accepted: 3-13-98

Coating Repair

Coating Type: Epoxy

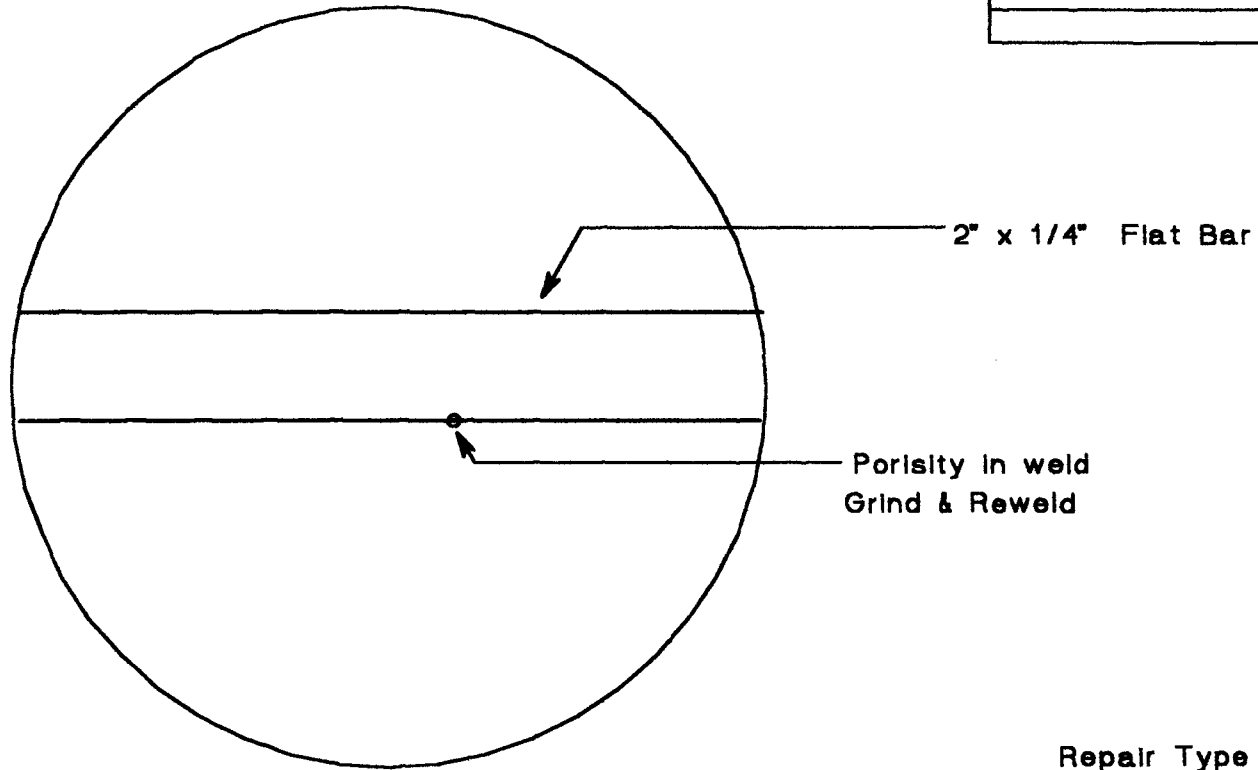
Surface Preparation: Primer Coat: Intermediate Coat: Final Coat:

NDT Performed: Visual: DFT: Average DFT: 8 mils - 15 mils

Rework Required: _____

Repair Acceptable: John Zschell Date Accepted: 3-13-98

CALENDER OF EVENTS		
EVENT	BY	DATE
Defect Inspected	JF & TK	2/19/98



Porisity in weld
Grind & Reweld

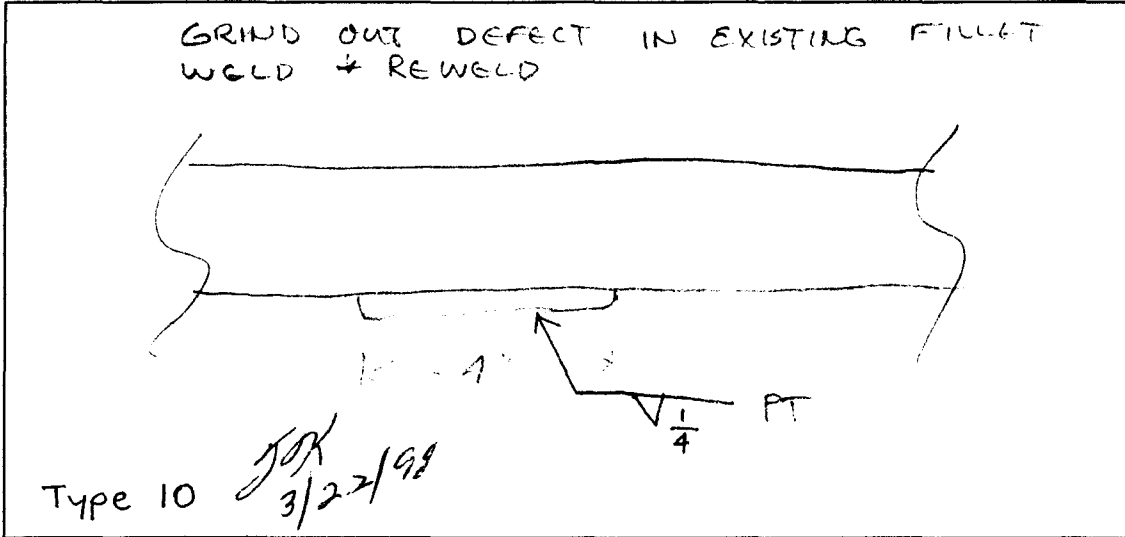
Repair Type 10

LTR	DESCRIPTION	BY	DATE
REVISIONS			
MID ATLANTIC ENVIRONMENTAL			
EMERGENCY REPAIRS FOR RED HILL TANKS			
Tank #10			
Repair No. : 006	File:10r006		
Upper dome	Quadrant: C		
Course: EXTENSION	Plate: 15 & 16		
Drawn by: M. Moulton	Date: 12/19/97		

Dames & Moore
Emergency Repairs For Red Hill Tanks at the Fleet Industrial & Supply Center
Contract No. N62742-96-C-1356

Repair Record

Tank No.: 10 Repair No.: 006 Type: 3 Location: C



Sketch of Repair Area

Weld Repair

WPS No.: SM1.1-1

Welder ID: John Walsh

NDT Performed: Visual Vacuum Box Dye Penetrant

Rework Required: _____

Repair Acceptable: John Zschell Date Accepted: 3-4-98

Coating Repair

Coating Type: Epoxy

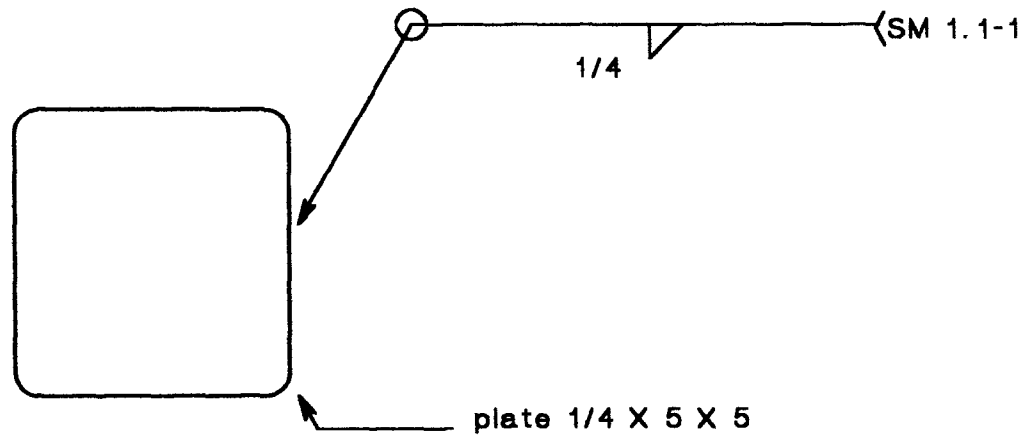
Surface Preparation: Primer Coat: Intermediate Coat: Final Coat:

NDT Performed: Visual: DFT: Average DFT: 28 mils < 15 mils

Rework Required: N/A

Repair Acceptable: John Zschell Date Accepted: 3-13-98

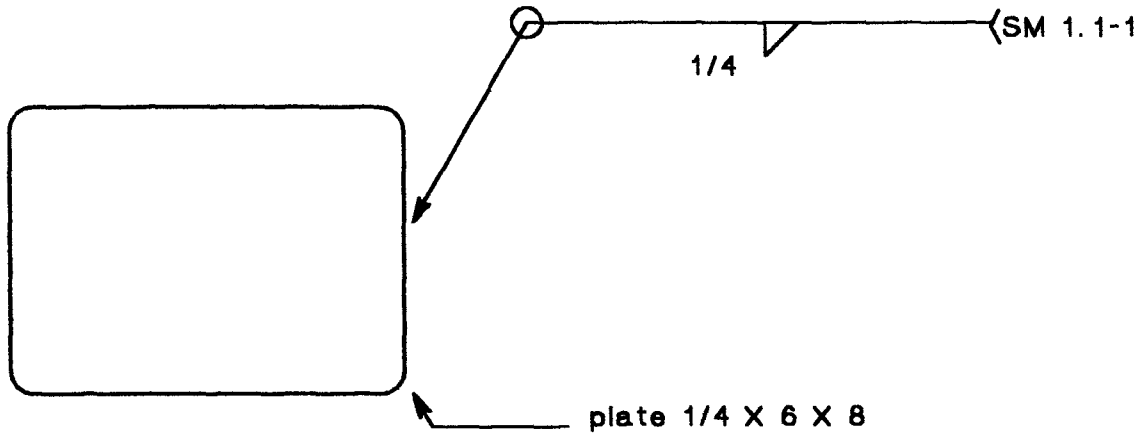
CALENDER OF EVENTS		
EVENT	BY	DATE
DEFECT INSPECTED	JF & TK	2/19/98



Repair type 5

LTR	DESCRIPTION	BY	DATE
REVISIONS			
MID ATLANTIC ENVIRONMENTAL			
EMERGENCY REPAIRS FOR RED HILL TANKS			
Tank #10 AS BUILT DRAWING			
Repair No.:	007	File:	10r007
Upper dome		Quadrant:	C
Course:	EXTENSION	Plate:	18
Drawn by:	Tom Kitchen	Date:	4/28/98

CALENDER OF EVENTS		
EVENT	BY	DATE
Defect Inspected	JF & TK	2/19/98



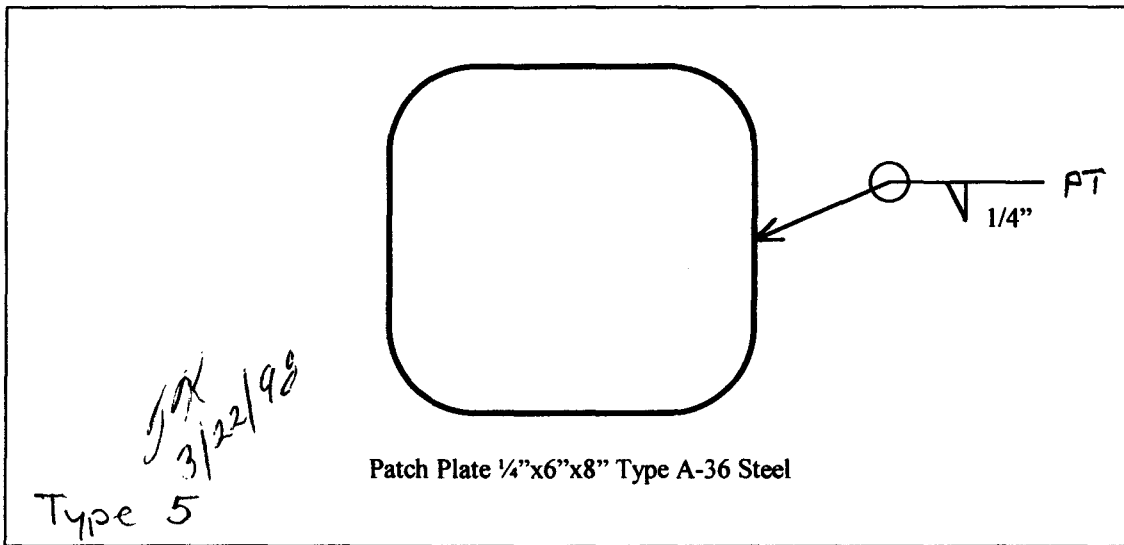
Repair type 5

LTR	DESCRIPTION	BY	DATE
REVISIONS			
MID ATLANTIC ENVIRONMENTAL			
EMERGENCY REPAIRS FOR RED HILL TANKS			
Tank #10			
Repair No. 008	File 10r008		
Upper dome	Quadrant C		
Course EXTENSION	Plate 18		
Drawn by Tom Kitchen	Date 4/28/98		

Dames & Moore
Emergency Repairs For Red Hill Tanks at the Fleet Industrial & Supply Center
Contract No. N62742-96-C-1356

Repair Record

Tank No.: 10 Repair No.: 008 Type: 5 Location: C-EXT



Sketch of Repair Area

Weld Repair

WPS No.: SM1.1-1

Welder ID: John Walsh

NDT Performed: Visual Vacuum Box Dye Penetrant

Rework Required: N/A

Repair Acceptable: John Zschell Date Accepted: 3-4-98

Coating Repair

Coating Type: Epoxy

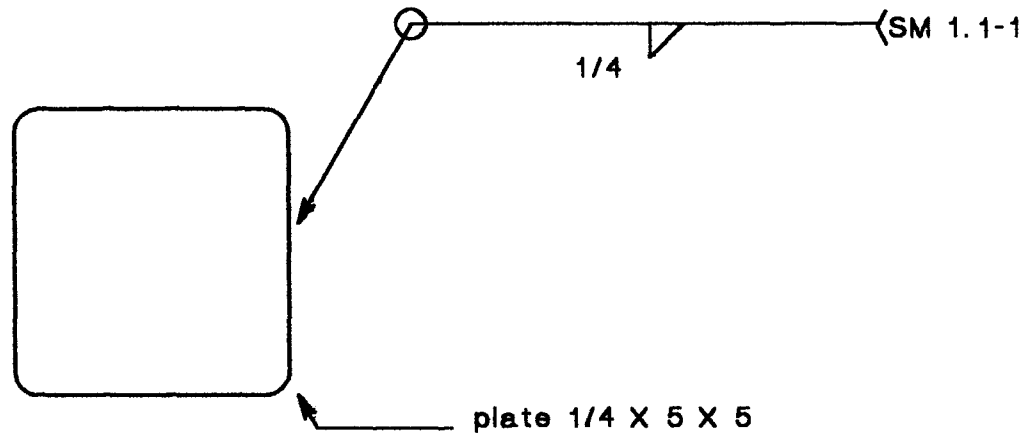
Surface Preparation: Primer Coat: Intermediate Coat: Final Coat:

NDT Performed: Visual: DFT: Average DFT: > 8 mil < 15 mils

Rework Required: N/A

Repair Acceptable: John Zschell Date Accepted: 3-13-98

CALENDER OF EVENTS		
EVENT	BY	DATE
Defect inspected	JF & TK	2/19/98



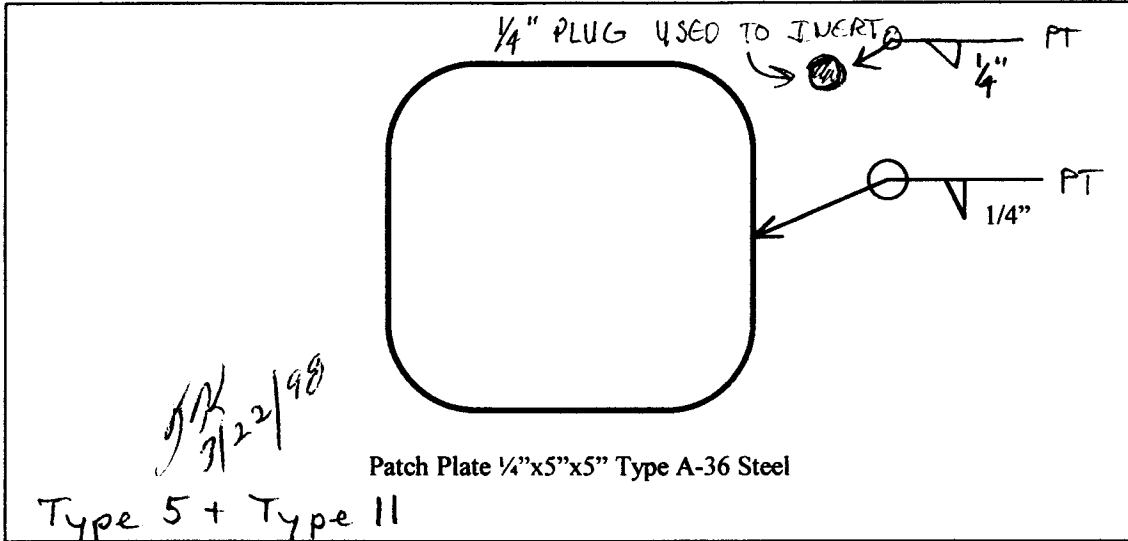
Repair type 5

LTR	DESCRIPTION	BY	DATE
REVISIONS			
MID ATLANTIC ENVIRONMENTAL			
EMERGENCY REPAIRS FOR RED HILL TANKS			
Tank #10			
Repair No. 009	File 10r009		
Upper dome	Quadrant C		
Course EXTENSION	Plate 17		
Drawn by Tom Kitchen	Date 4/28/98		

Dames & Moore
Emergency Repairs For Red Hill Tanks at the Fleet Industrial & Supply Center
Contract No. N62742-96-C-1356

Repair Record

Tank No.: 10 Repair No.: 009 Type: 5 Location: C



Sketch of Repair Area

Weld Repair

WPS No.: SM1.1-1

Welder ID: John Walsh

NDT Performed: Visual Vacuum Box Dye Penetrant

Rework Required: _____

Repair Acceptable: John Zachell Date Accepted: 3-4-98

Coating Repair

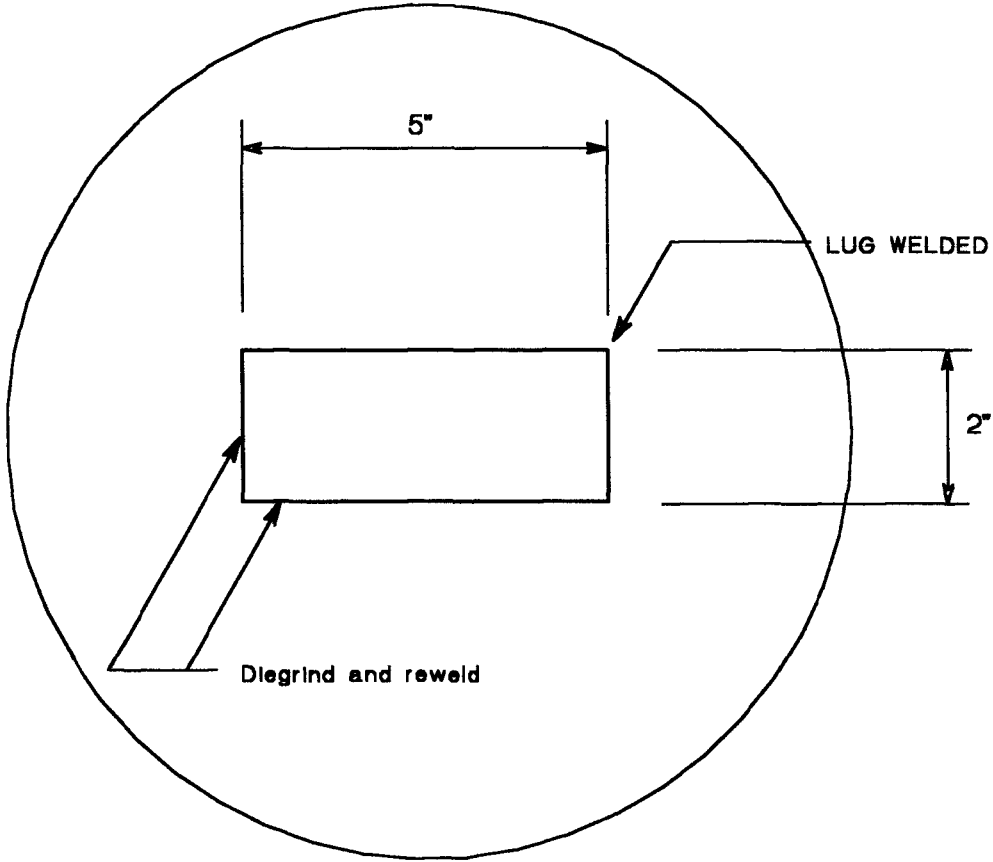
Coating Type: Epoxy

Surface Preparation: Primer Coat: Intermediate Coat: Final Coat:

NDT Performed: Visual: DFT: Average DFT: 78 mil < 15 mil

Rework Required: N/A

Repair Acceptable: John Zachell Date Accepted: 3-13-98



CALENDER OF EVENTS		
EVENT	BY	DATE
Defect Inspected	TK & JF	2/19/98

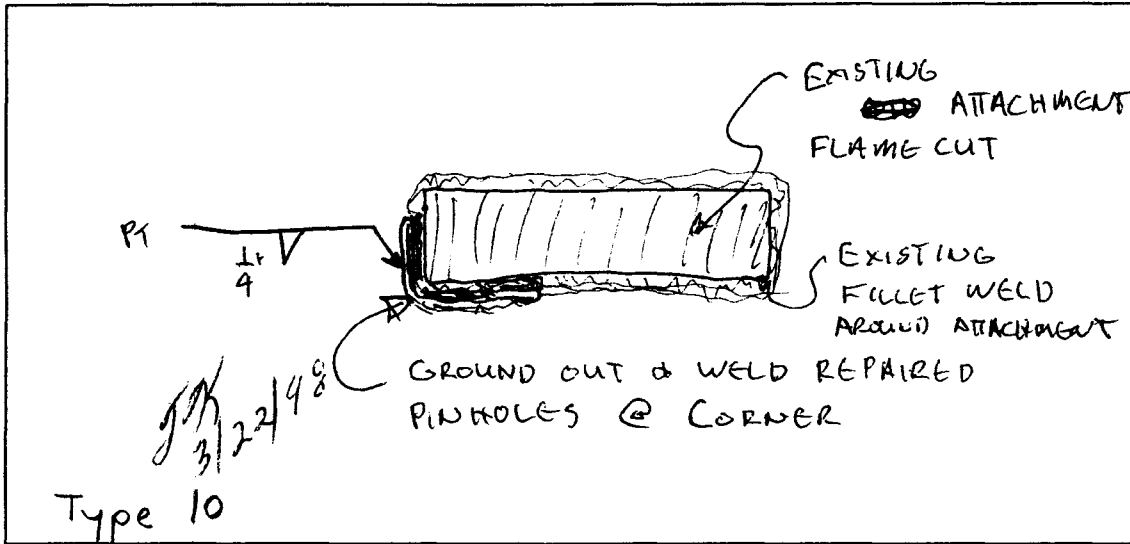
TYPE 10 REPAIR

01	ORIGINAL ISSUE	MM	2/20/98
LTR	DESCRIPTION	BY	DATE
REVISIONS			
MID ATLANTIC ENVIRONMENTAL			
EMERGENCY REPAIRS FOR RED HILL TANKS			
Tank #10			
Repair No.: 010		File: 10r010	
Upper dome		Quadrant: A	
Course: C		Plate: 1	
Drawn by: M. Moulton		Date: 2/20/98	

Dames & Moore
Emergency Repairs For Red Hill Tanks at the Fleet Industrial & Supply Center
Contract No. N62742-96-C-1356

Repair Record

Tank No.: 10 Repair No.: 010 Type: 1 Location: A



Sketch of Repair Area

Weld Repair

WPS No.: SM1.1-1

Welder ID: John Walsh

NDT Performed: Visual Vacuum Box Dye Penetrant

Rework Required: N/A

Repair Acceptable: John Zschell Date Accepted: 2-24-98

Coating Repair

Coating Type: Epoxy

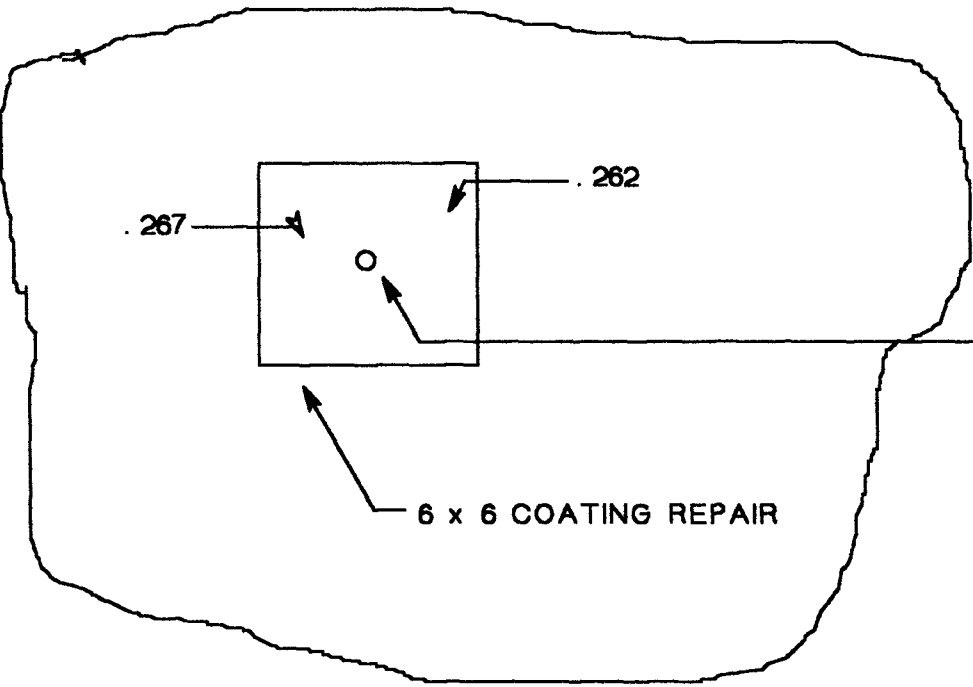
Surface Preparation: Primer Coat: Intermediate Coat: Final Coat:

NDT Performed: Visual: DFT: Average DFT: 28 mil < 15 mil

Rework Required: N/A

Repair Acceptable: John Zschell Date Accepted: 3-13-98

CALENDER OF EVENTS		
EVENT	BY	DATE
Defect Inspected	TK & JF	2/20/98



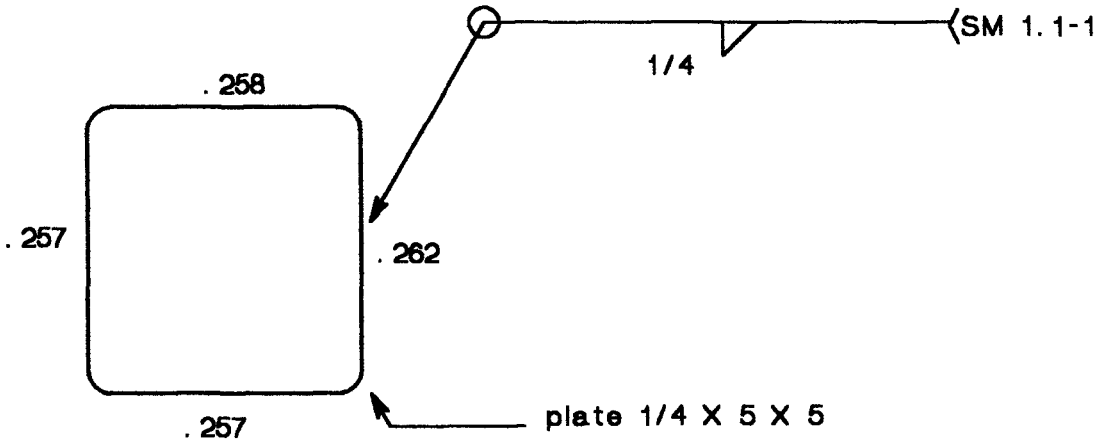
NO LEAK DETECTED CHANGE TO COATING REPAIR

6 x 6 COATING REPAIR

TYPE 1 REPAIR

O I	ORIGINAL ISSUE	T K	2/20/98
LTR	DESCRIPTION	BY	DATE
REVISIONS			
MID ATLANTIC ENVIRONMENTAL			
EMERGENCY REPAIRS FOR RED HILL TANKS			
Tank #10			
Repair No.:	011	File:	10r011
CYLINDER		Quadrant:	D
Course:	3 & 4	Plate:	19
Drawn By:	M. Moulton	Date:	2/20/98

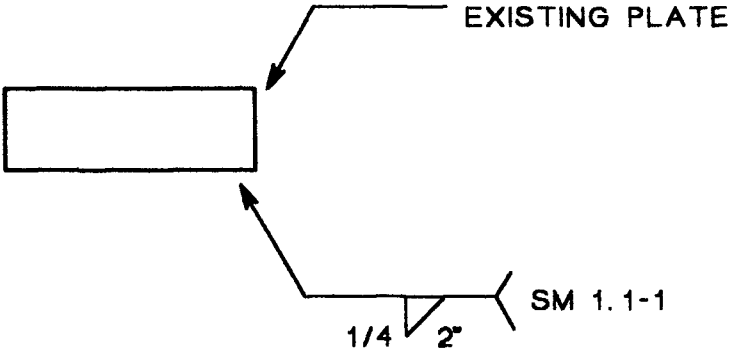
CALENDER OF EVENTS		
EVENT	BY	DATE
Defect Inspected	JF & TK	2/20/98



Repair type 5

LTR	DESCRIPTION	BY	DATE
REVISIONS			
MID ATLANTIC ENVIRONMENTAL			
EMERGENCY REPAIRS FOR RED HILL TANKS			
Tank #10			
Repair No. : 020	File: 10r020		
Upper dome	Quadrant: A		
Course: C	Plate: 5		
Drawn by: Tom Kitchen	Date: 4/28/98		

CALENDER OF EVENTS		
EVENT	BY	DATE
Defect Inspected	JF & TK	2/20/98



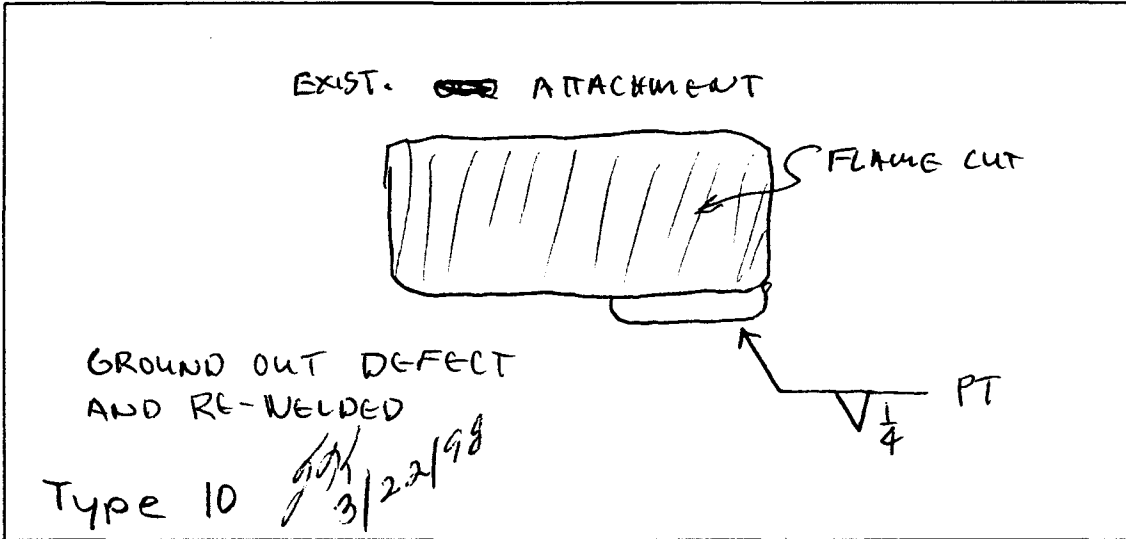
TYPE 5 REPAIR

LTR	DESCRIPTION	BY	DATE
REVISIONS			
MID ATLANTIC ENVIRONMENTAL			
EMERGENCY REPAIRS FOR RED HILL TANKS			
Tank #10			
Repair No. : 030	File: 10r030		
Upper dome	Quadrant: B		
Course: C	Plate: 10		
Drawn by: Tom Kitchen	Date: 4/29/98		

Dames & Moore
Emergency Repairs For Red Hill Tanks at the Fleet Industrial & Supply Center
Contract No. N62742-96-C-1356

Repair Record

Tank No.: 11 Repair No.: 030 Type: 3 Location: B



Sketch of Repair Area

Weld Repair

WPS No.: SM1.1-1

Welder ID: John Walsh

NDT Performed: Visual Vacuum Box Dye Penetrant

Rework Required: N/A

Repair Acceptable: John Zschell Date Accepted: 2-24-98

Coating Repair

Coating Type: Epoxy

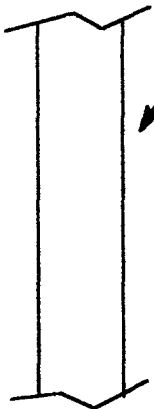
Surface Preparation: Primer Coat: Intermediate Coat: Final Coat:

NDT Performed: Visual: DFT: Average DFT: 8 mils - 15 mils

Rework Required: N/A

Repair Acceptable: John Zschell Date Accepted: 3-13-98

CALENDER OF EVENTS		
EVENT	BY	DATE
Defect Inspected	JF & TK	2/19/98



POSSIBLE LEAK -PT TESTED NO LEAK
 COATING REPAIR 50 SQUARE INCHES

TYPE 8 REPAIR

LTR	DESCRIPTION	BY	DATE
REVISIONS			
MID ATLANTIC ENVIRONMENTAL			
EMERGENCY REPAIRS FOR RED HILL TANKS			
Tank #10			
Repair No. : 040	File: 10udr040		
Upper dome	Quadrant: B		
Course: C	Plate: 12		
Drawn by: Tom Kitchen	Date: 4/29/98		

CALENDER OF EVENTS		
EVENT	BY	DATE
Defect Inspected	TK & JF	2/19/98

° 256



No UT @ center

No Leak

1/8 X 2 gouge- fill with weld and recoat

36 SQUARE INCH COATING REPAIR

° 256

° 262

° 257

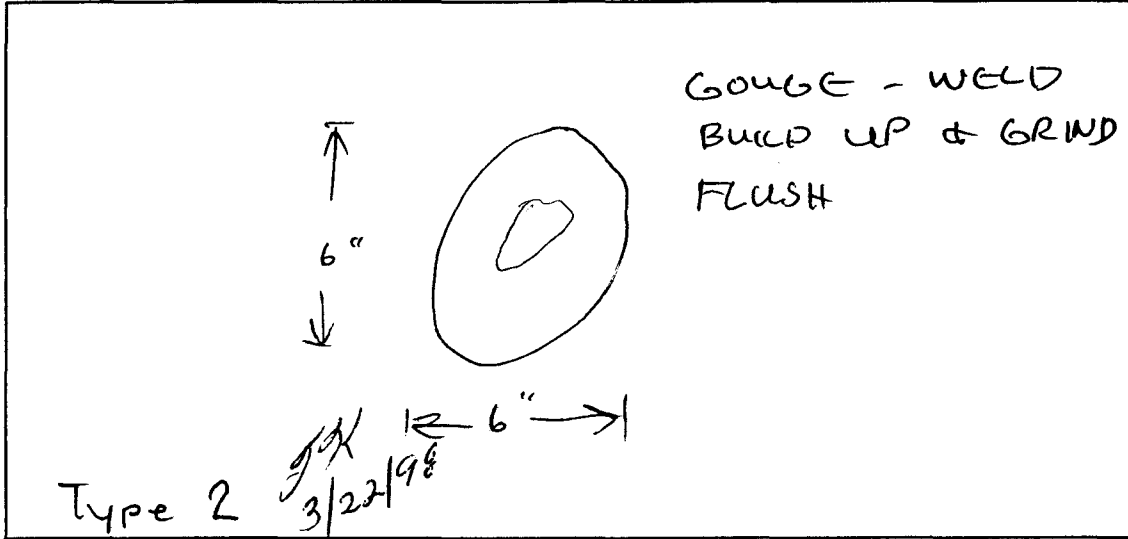
Repair Type 2

O I	ORIGINAL ISSUE	M M	2/20/98
LTR	DESCRIPTION	BY	DATE
REVISIONS			
MID ATLANTIC ENVIRONMENTAL			
EMERGENCY REPAIRS FOR RED HILL TANKS			
Tank #10			
Repair No. : 050		File: 10r050	
Upper dome		Quadrant: A	
Course: C		Plate: 4	
Drawn By: M. Moulton		Date: 2/20/98	

Dames & Moore
Emergency Repairs For Red Hill Tanks at the Fleet Industrial & Supply Center
Contract No. N62742-96-C-1356

Repair Record

Tank No.: 10 Repair No.: 050 Type: 2 Location: A



Sketch of Repair Area

Weld Repair

WPS No.: SMI.1-1

Welder ID: John Walsh

NDT Performed: Visual Vacuum Box Dye Penetrant

Rework Required: N/A

Repair Acceptable: John Zehrell Date Accepted: 2-24-98

Coating Repair

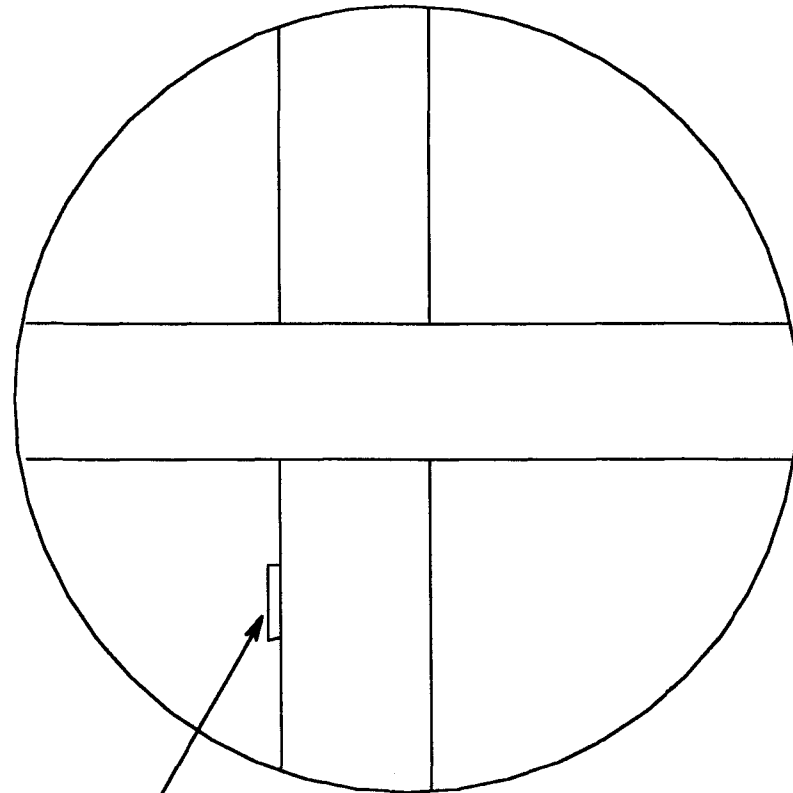
Coating Type: Epoxy

Surface Preparation: Primer Coat: Intermediate Coat: Final Coat:

NDT Performed: Visual: DFT: Average DFT: 8 mils - 15 mils

Rework Required: N/A

Repair Acceptable: John Zehrell Date Accepted: 3-13-98



SM 1.1-1
1/4 4"

CALENDER OF EVENTS		
EVENT	BY	DATE
Defect Inspected	TK & JF	2/19/98

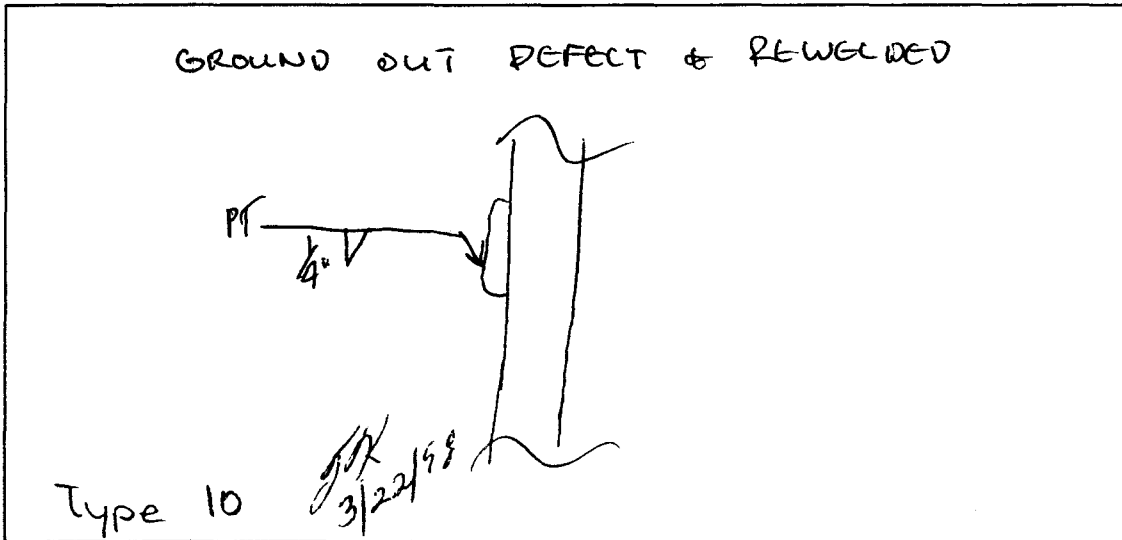
Repair Type 10

O I	ORIGINAL ISSUE	M M	2/20/98
LTR	DESCRIPTION	BY	DATE
REVISIONS			
MID ATLANTIC ENVIRONMENTAL			
EMERGENCY REPAIRS FOR RED HILL TANKS			
Tank #10			
Repair No.:	060	File:	10r060
Upper dome		Quadrant:	A
Course:	B	Plate:	3
Drawn By:	M. Moulton	Date:	2/20/98

Dames & Moore
Emergency Repairs For Red Hill Tanks at the Fleet Industrial & Supply Center
Contract No. N62742-96-C-1356

Repair Record

Tank No.: 10 Repair No.: 060 Type: 3 Location: A



Sketch of Repair Area

Weld Repair

WPS No.: SM1.1-1

Welder ID: John Walsh

NDT Performed: Visual Vacuum Box Dye Penetrant

Rework Required: N/A

Repair Acceptable: John Zachell Date Accepted: 2-24-98

Coating Repair

Coating Type: Epoxy

Surface Preparation: Primer Coat: Intermediate Coat: Final Coat:

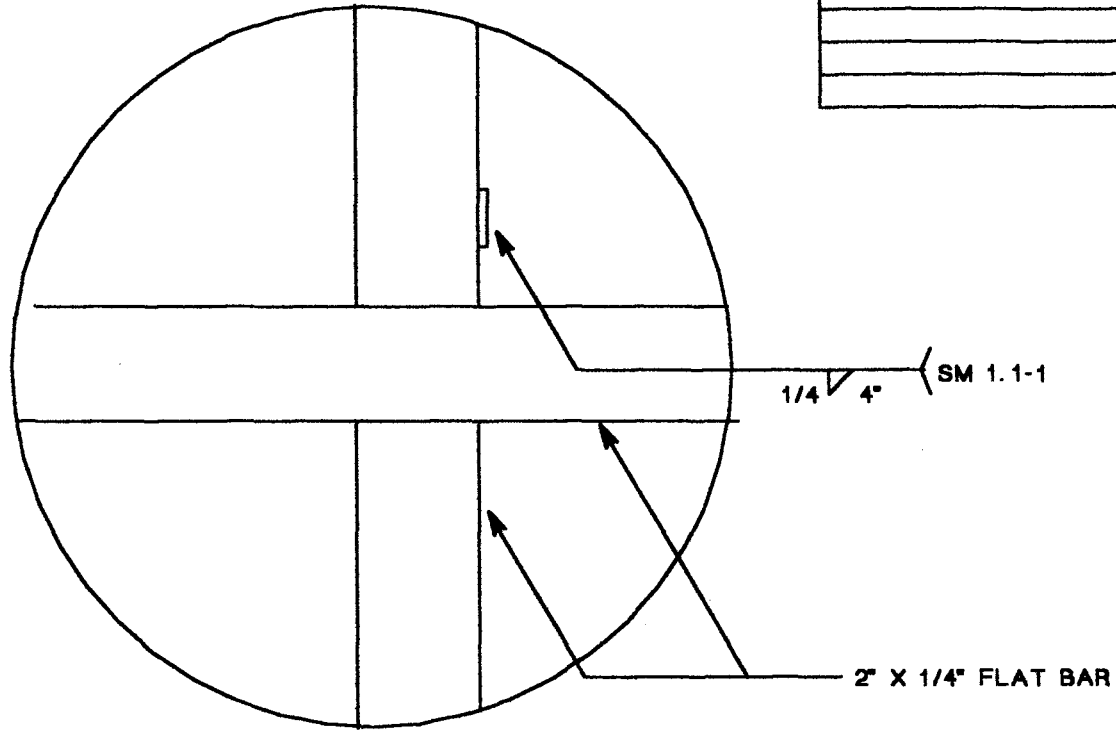
NDT Performed: Visual: DFT: Average DFT: 8 mils - 15 mils

Rework Required: N/A

Repair Acceptable: John Zachell Date Accepted: 3-13-98

CALENDER OF EVENTS

EVENT	BY	DATE
Defect Inspected	TK & JF	2/19/98



2" X 1/4" FLAT BAR

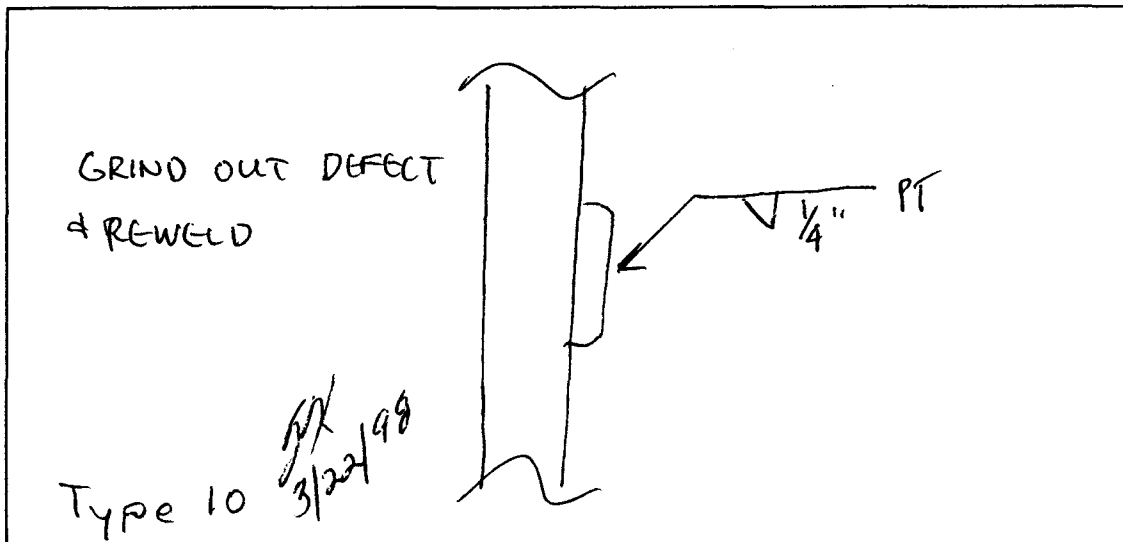
Repair Type 3

O I	ORIGINAL ISSUE	M M	2/20/98
LTR	DESCRIPTION	BY	DATE
REVISIONS			
MID ATLANTIC ENVIRONMENTAL			
EMERGENCY REPAIRS FOR RED HILL TANKS			
Tank #10			
Repair No.: 070		File: 10r070	
Upper dome		Quadrant: A	
Course: C		Plate: 3	
Drawn By: M. Moulton		Date: 2/20/98	

Dames & Moore
Emergency Repairs For Red Hill Tanks at the Fleet Industrial & Supply Center
Contract No. N62742-96-C-1356

Repair Record

Tank No.: 10 Repair No.: 070 Type: 3 Location: A



Sketch of Repair Area

Weld Repair

WPS No.: SM1.1-1

Welder ID: John Walsh

NDT Performed: Visual Vacuum Box Dye Penetrant

Rework Required: N/A

Repair Acceptable: John Zickell Date Accepted: 2-24-98

Coating Repair

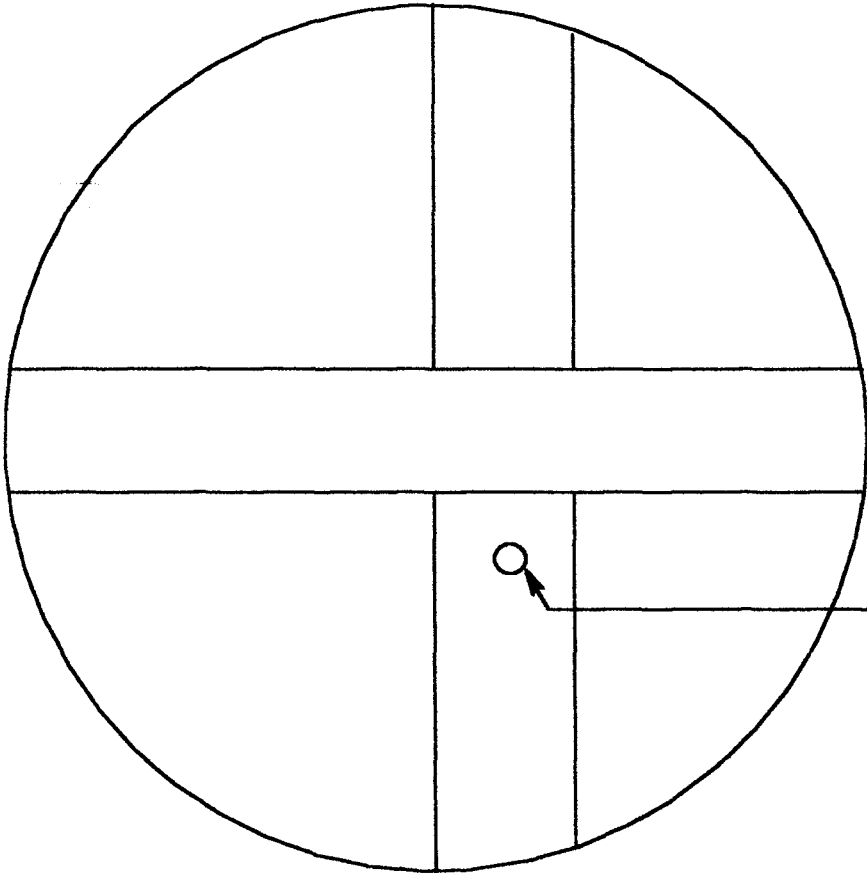
Coating Type: Epoxy

Surface Preparation: Primer Coat: Intermediate Coat: Final Coat:

NDT Performed: Visual: DFT: Average DFT: 8 mils - 15 mils

Rework Required: N/A

Repair Acceptable: John Zickell Date Accepted: 3-15-98



No Leak Detected

CALENDER OF EVENTS		
EVENT	BY	DATE
Defect Inspected	TK & JF	2/19/98

NO REPAIR REQUIRED

LTR	DESCRIPTION	BY	DATE
-----	-------------	----	------

REVISIONS

MID ATLANTIC ENVIRONMENTAL	
EMERGENCY REPAIRS FOR RED HILL TANKS	
Tank #10	
Repair No. 080	File:10r080
Upper dome	Quadrant: A
Course: B	Plate: 3
Drawn By: M. Moulton	Date: 2/20/98

