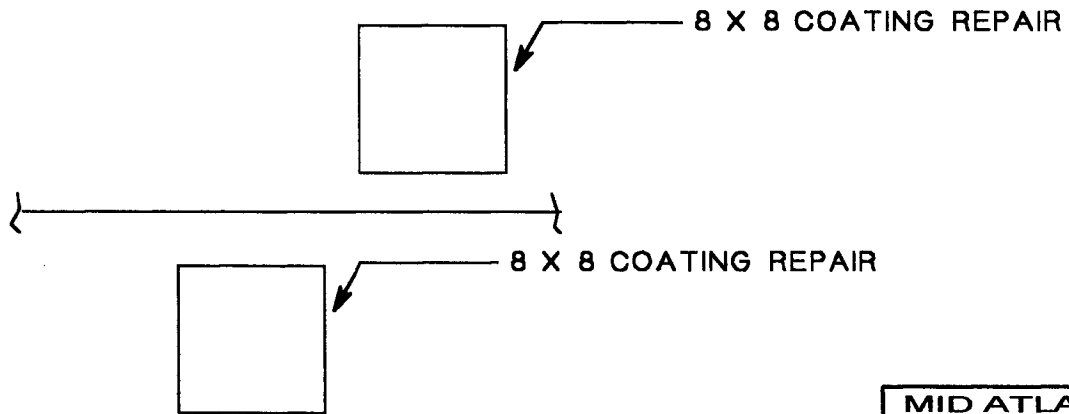


Inspected 3/27/98 by JF & TK



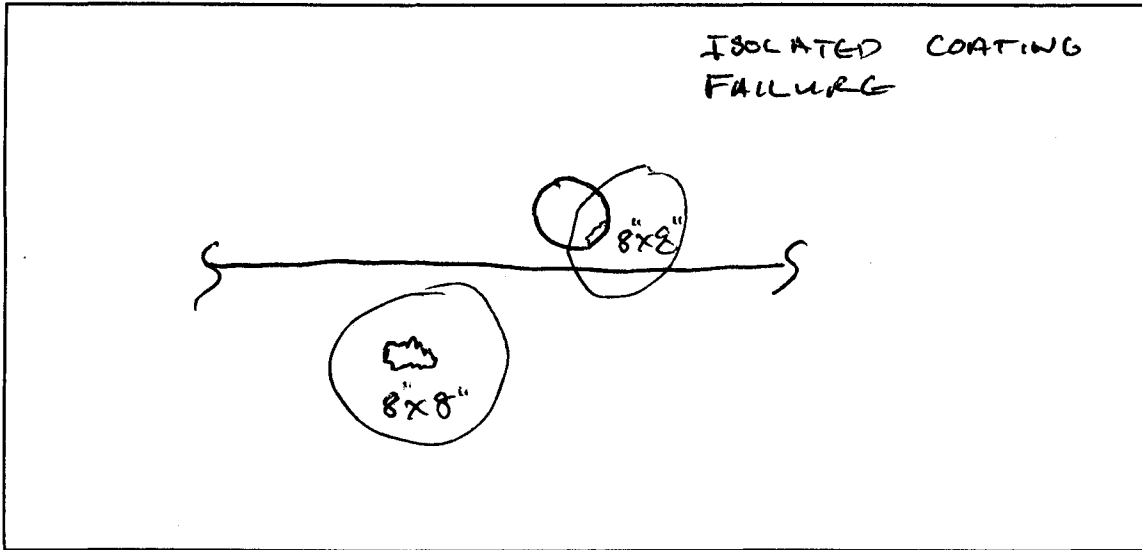
TYPE 8 REPAIR

MID ATLANTIC ENVIRONMENTAL	
EMERGENCY REPAIRS FOR RED HILL TANKS	
Tank #7 RECOMMENDED REPAIR DRAWING	
Repair No. 031	File 7R031
cylinder	Quadrant C
Course 24	Plate 15
Drawn by Tom Klitcher	Date 5/4/98

Dames & Moore
Emergency Repairs For Red Hill Tanks at the Fleet Industrial & Supply Center
Contract No. N62742-96-C-1356

Repair Record

Tank No.: 7 Repair No.: 031 Type: 8 Location: C15-24



Sketch of Repair Area

Weld Repair N/A

WPS No.: _____

Welder ID: _____

NDT Performed: Visual _____ Vacuum Box _____ Dye Penetrant _____

Rework Required: _____

Repair Acceptable: _____ Date Accepted: _____

Coating Repair

Coating Type: Epoxy

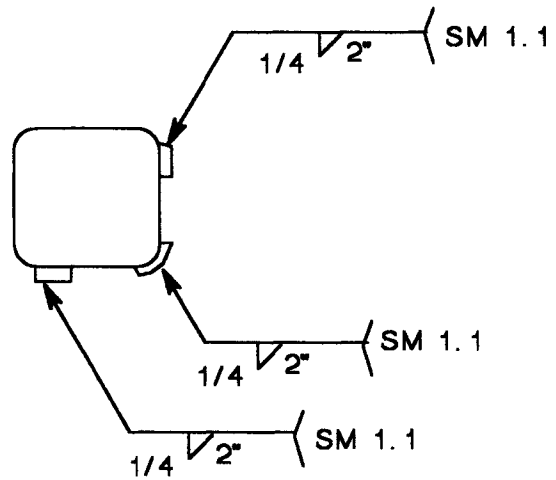
Surface Preparation: Primer Coat: Intermediate Coat: Final Coat:

NDT Performed: Visual: DFT: Average DFT: 8-15 mils

Rework Required: N/A

Repair Acceptable: John Zschell Date Accepted: 4-3-98

INSPECTED 3/27/98 BY JF & TK



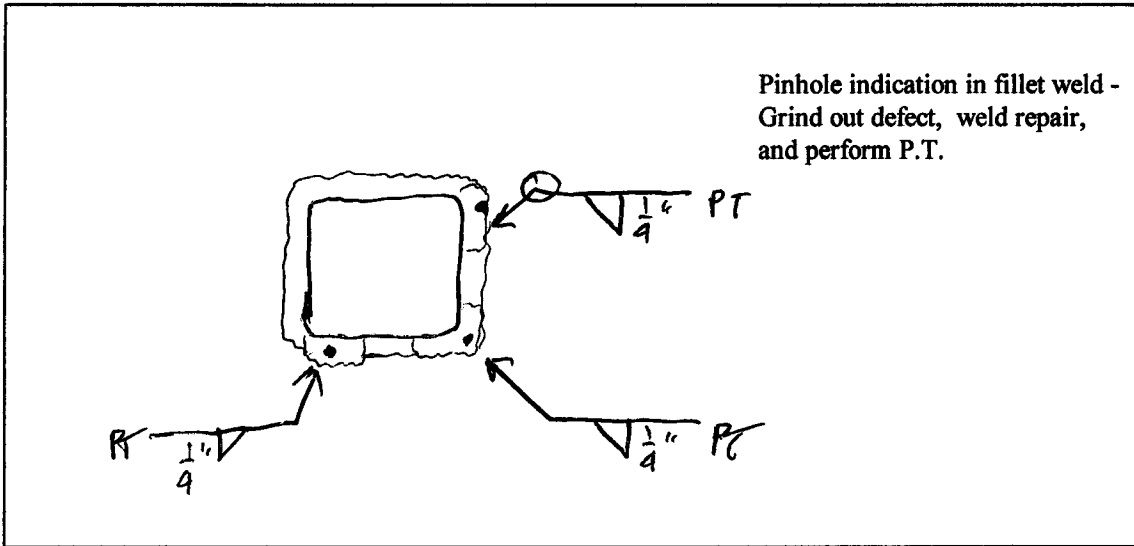
TYPE 10 REPAIR

MID ATLANTIC ENVIRONMENTAL	
EMERGENCY REPAIRS FOR RED HILL TANKS	
Tank #7 RECOMMENDED REPAIR DRAWINGS	
Repair No.: 032	File: 7r032
CYLINDER	Quadrant: C
Course: 28	Plate: 18
Drawn by: Tom Klitcher	Date: 5/4/98

Dames & Moore
Emergency Repairs For Red Hill Tanks at the Fleet Industrial & Supply Center
Contract No. N62742-96-C-1356

Repair Record

Tank No.: 7 Repair No.: 032 Type: 10 Location: C18-28



Sketch of Repair Area

Weld Repair

WPS No.: SM1.1-1

Welder ID: John Walsh

NDT Performed: Visual Vacuum Box Dye Penetrant

Rework Required: N/A

Repair Acceptable: John Zschell Date Accepted: 4-2-98

Coating Repair

Coating Type: Epoxy

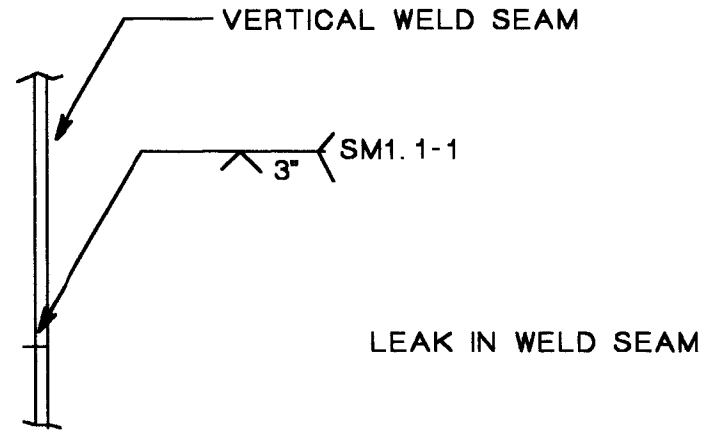
Surface Preparation: Primer Coat: Intermediate Coat: Final Coat:

NDT Performed: Visual: DFT: Average DFT: 8-15 mils

Rework Required: N/A

Repair Acceptable: John Zschell Date Accepted: 4-3-98

Inspected 3/27/98 by JF & TK



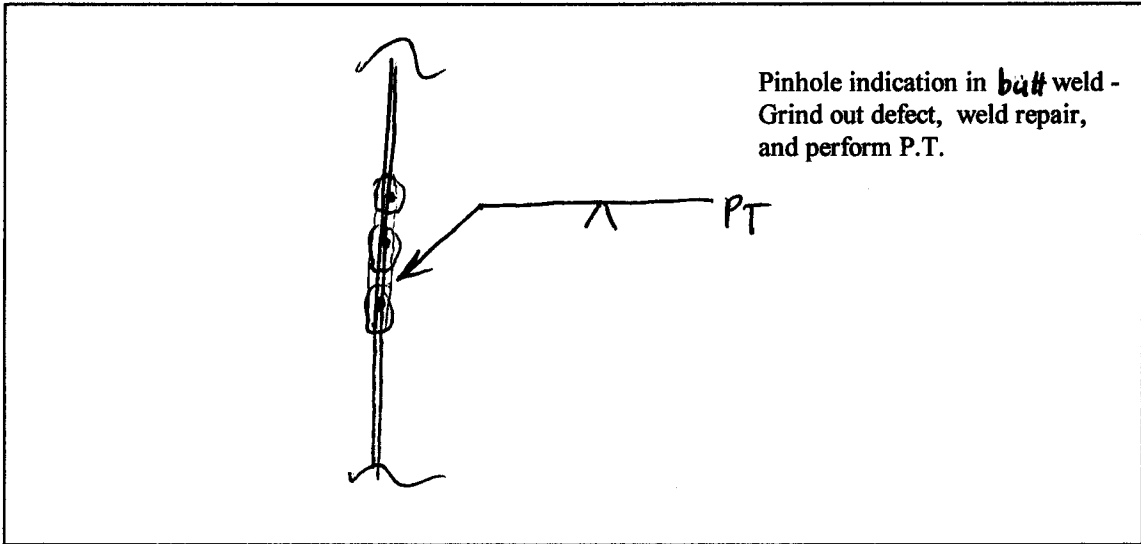
TYPE 10 REPAIR

MID ATLANTIC ENVIRONMENTAL	
EMERGENCY REPAIRS FOR RED HILL TANKS	
Tank #7 RECOMMENDED REPAIR DRAWING	
Repair No.: 033	File: 7R033
Lower Dome	Quadrant: D
Course: 3	Plate: 21
Drawn by: Tom Kitchen	Date: 5/4/98

Dames & Moore
Emergency Repairs For Red Hill Tanks at the Fleet Industrial & Supply Center
Contract No. N62742-96-C-1356

Repair Record

Tank No.: 7 Repair No.: 033 Type: 9 Location: D21-3



Sketch of Repair Area

Weld Repair

WPS No.: SM1.1-1

Welder ID: John Walsh

NDT Performed: Visual Vacuum Box Dye Penetrant

Rework Required: N/A

Repair Acceptable: John Walsh

Date Accepted: 4-2-98

Coating Repair

Coating Type: Epoxy

Surface Preparation: Primer Coat: Intermediate Coat: Final Coat:

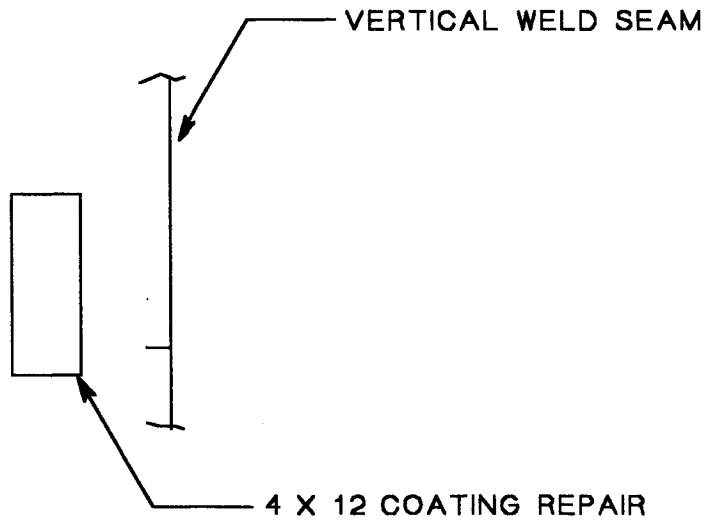
NDT Performed: Visual: DFT: Average DFT: 8-15 mils

Rework Required: N/A

Repair Acceptable: John Walsh

Date Accepted: 4-3-98

Inspected 3/27/98 by JF & TK



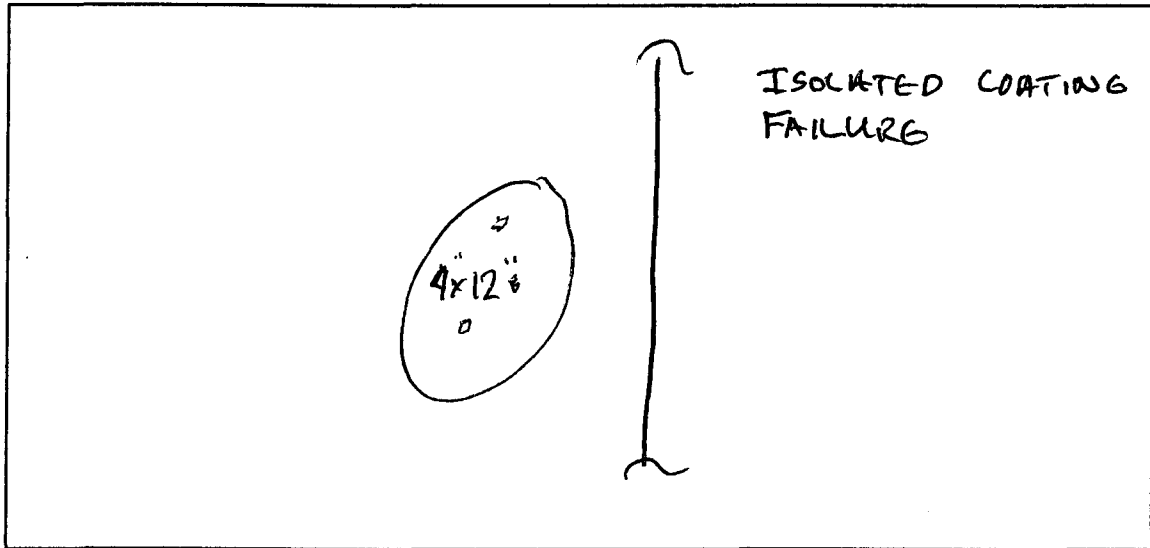
TYPE 8 REPAIR

MID ATLANTIC ENVIRONMENTAL	
EMERGENCY REPAIRS FOR RED HILL TANKS	
Tank #7 RECOMMENDED REPAIR DRAWING	
Repair No.: 034	File: 7R034
Lower Dome	Quadrant: C
Course: 3	Plate: 17
Drawn by: Tom Klitcher	Date: 5/4/98

Dames & Moore
Emergency Repairs For Red Hill Tanks at the Fleet Industrial & Supply Center
Contract No. N62742-96-C-1356

Repair Record

Tank No.: 7 Repair No.: 034 Type: 8 Location: C17-3



Sketch of Repair Area

Weld Repair N/A

WPS No.: _____

Welder ID: _____

NDT Performed: Visual _____ Vacuum Box _____ Dye Penetrant _____

Rework Required: _____

Repair Acceptable: _____ Date Accepted: _____

Coating Repair

Coating Type: EPoxy

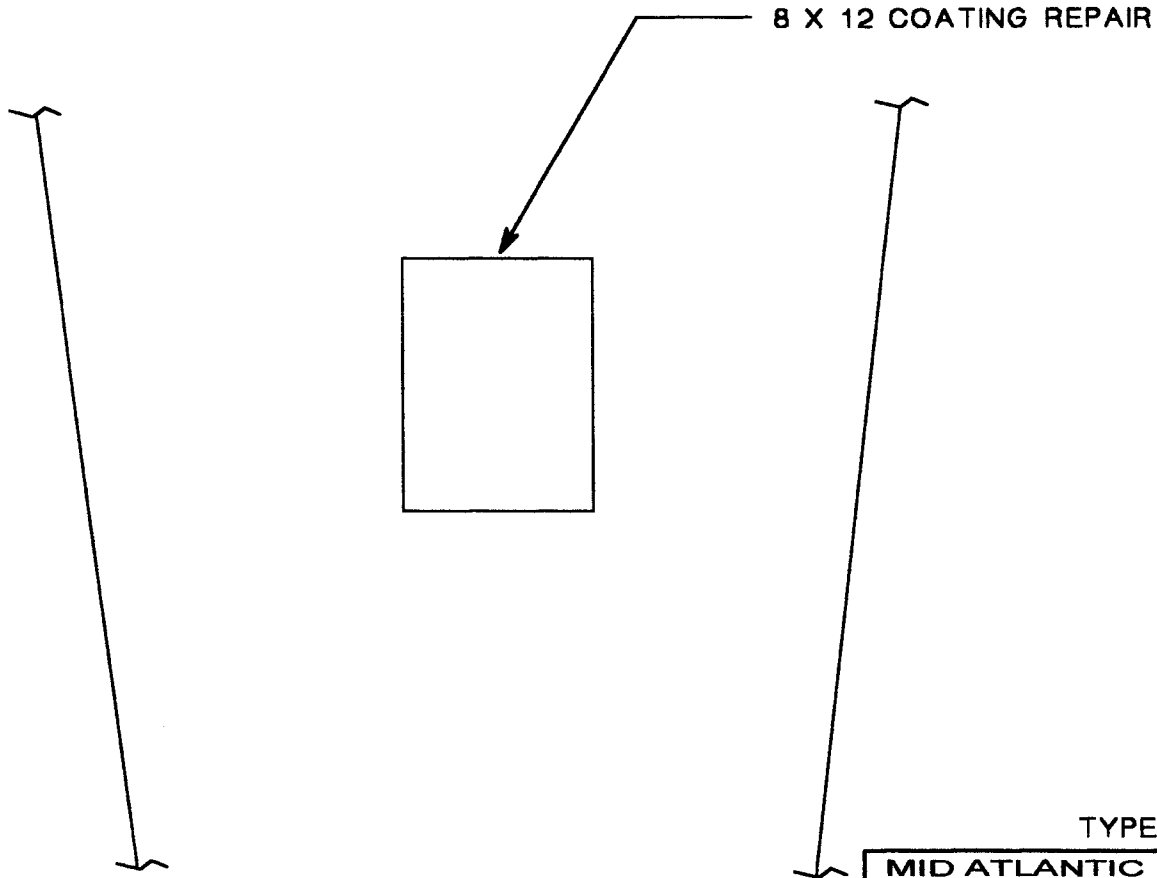
Surface Preparation: Primer Coat: Intermediate Coat: Final Coat:

NDT Performed: Visual: DFT: Average DFT: 8-15 mils

Rework Required: N/A

Repair Acceptable: John Zachell Date Accepted: 4-3-98

Inspected 3/27/98 by JF & TK



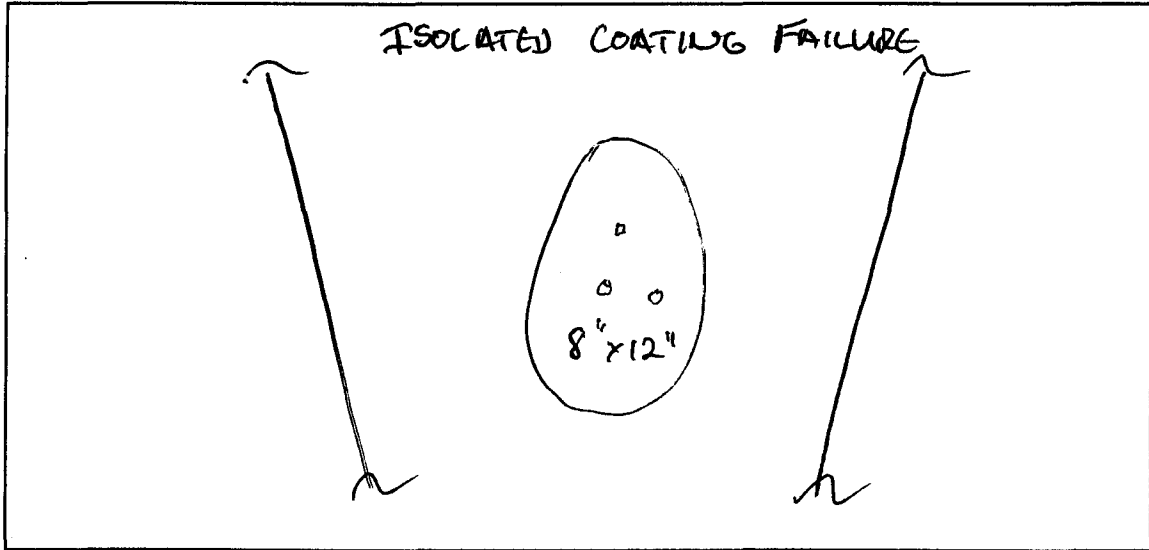
TYPE 8 REPAIR

MID ATLANTIC ENVIRONMENTAL	
EMERGENCY REPAIRS FOR RED HILL TANKS	
Tank #7 RECOMMENDED REPAIR DRAWING	
Repair No. 035	File 7R035
Lower Dome	Quadrant C
Course 3	Plate 16
Drawn by Tom Kitchen	Date 5/4/98

Dames & Moore
Emergency Repairs For Red Hill Tanks at the Fleet Industrial & Supply Center
Contract No. N62742-96-C-1356

Repair Record

Tank No.: 7 Repair No.: 035 Type: 8 Location: C16-3



Sketch of Repair Area

Weld Repair N/A

WPS No.: _____

Welder ID: _____

NDT Performed: Visual _____ Vacuum Box _____ Dye Penetrant _____

Rework Required: _____

Repair Acceptable: _____ Date Accepted: _____

Coating Repair

Coating Type: EPOXY

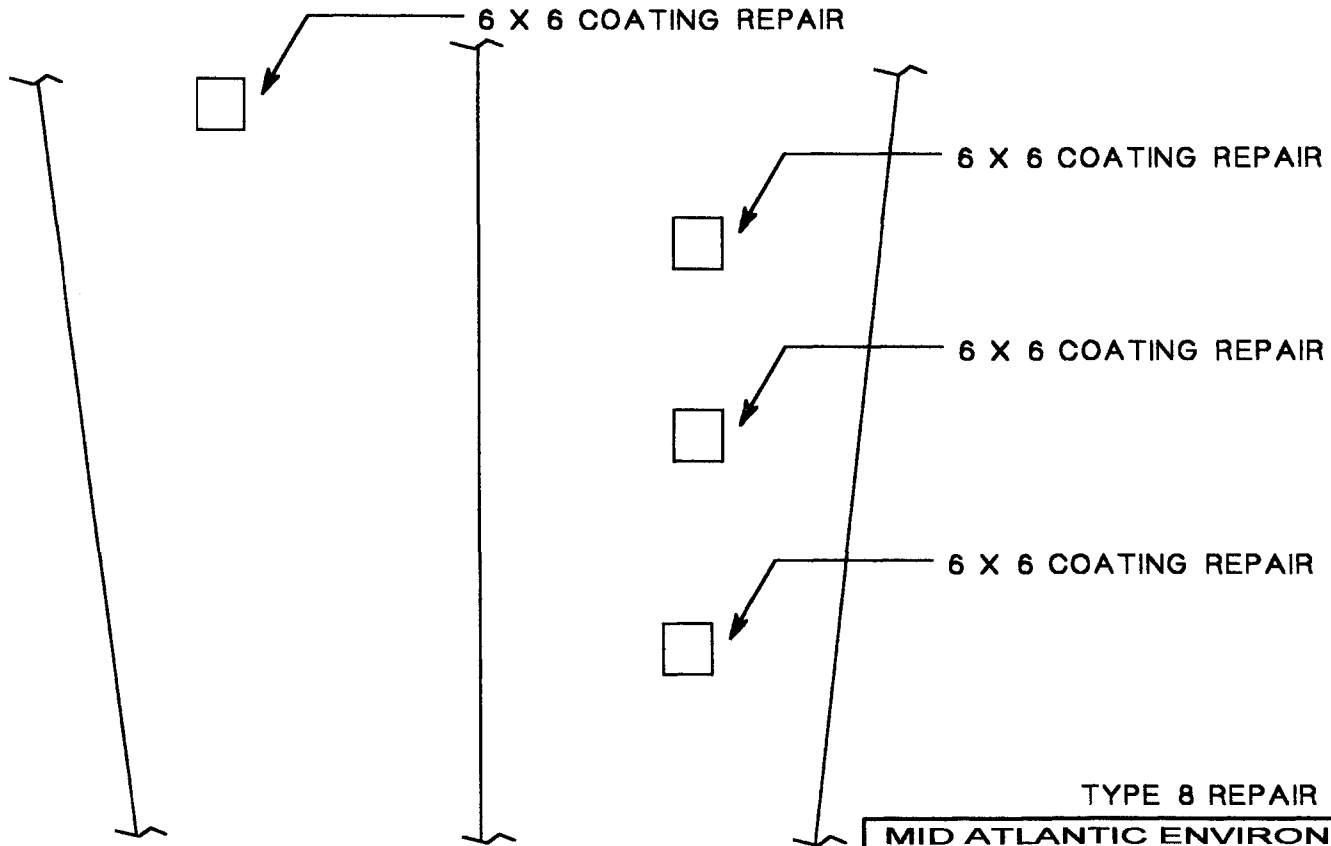
Surface Preparation: Primer Coat: Intermediate Coat: Final Coat:

NDT Performed: Visual: DFT: Average DFT: 8-15 mils

Rework Required: N/A

Repair Acceptable: John Zehel Date Accepted: 4-3-98

Inspected 3/27/98 by JF & TK



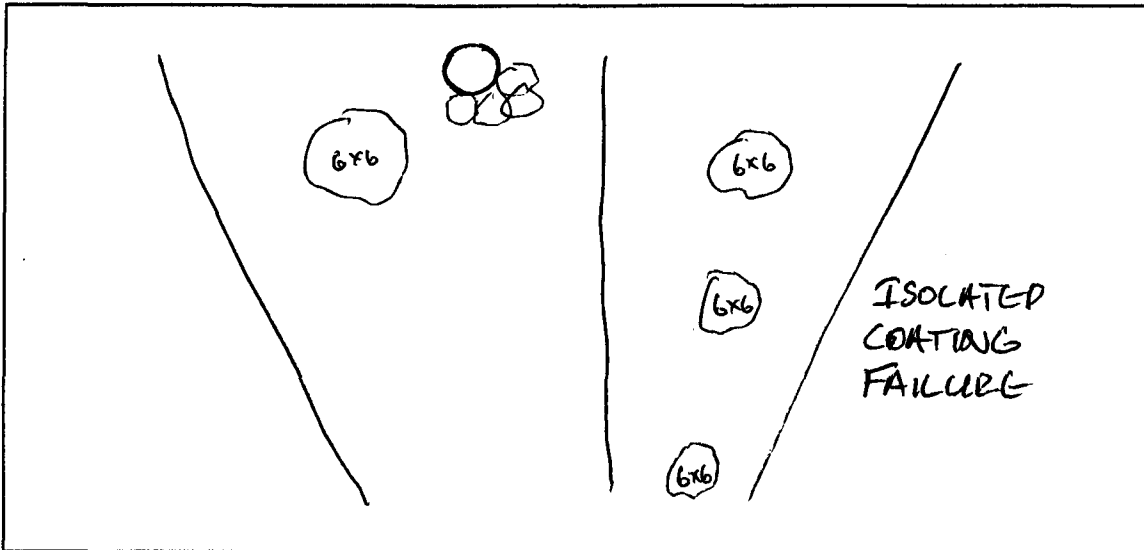
TYPE 8 REPAIR

MID ATLANTIC ENVIRONMENTAL	
EMERGENCY REPAIRS FOR RED HILL TANKS	
Tank #7 RECOMMENDED REPAIR DRAWING	
Repair No.: 036	File: 7R036
Lower Dome	Quadrant: C
Course: 2	Plate: 18
Drawn by: Tom Kitchen	Date: 5/4/98

Dames & Moore
Emergency Repairs For Red Hill Tanks at the Fleet Industrial & Supply Center
Contract No. N62742-96-C-1356

Repair Record

Tank No.: 7 Repair No.: 036 Type: 8 Location: C18-2



Sketch of Repair Area

Weld Repair N/A

WPS No.: _____

Welder ID: _____

NDT Performed: Visual _____ Vacuum Box _____ Dye Penetrant _____

Rework Required: _____

Repair Acceptable: _____ Date Accepted: _____

Coating Repair

Coating Type: EPOXY

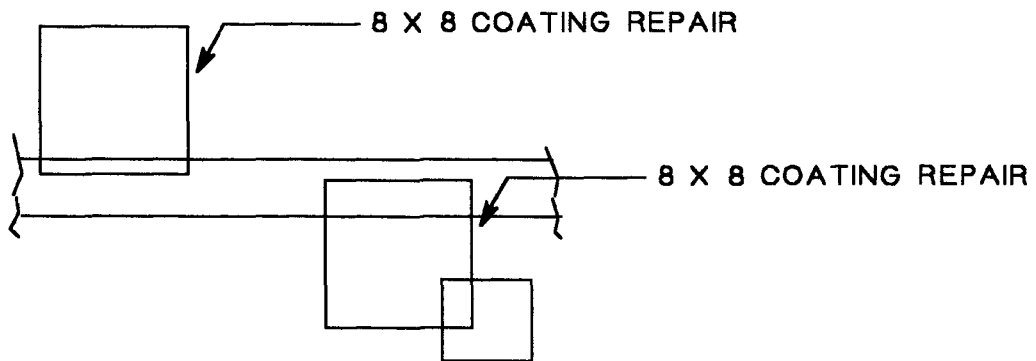
Surface Preparation: Primer Coat: Intermediate Coat: Final Coat:

NDT Performed: Visual: DFT: Average DFT: 15-22 mils

Rework Required: N/A

Repair Acceptable: John Zdrull Date Accepted: 4-3-98

Inspected 3/27/98 by JF & TK



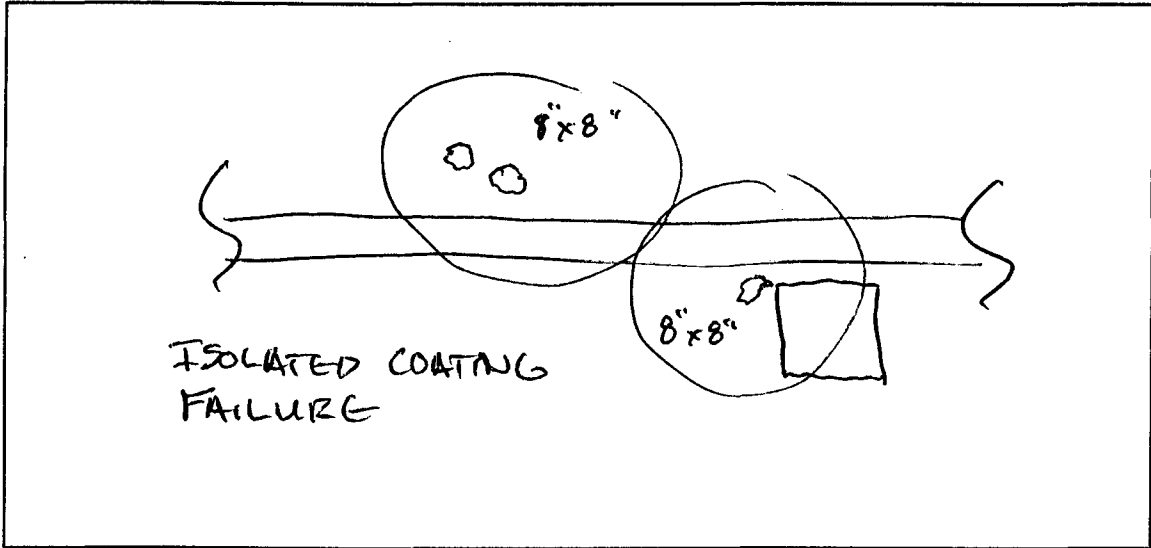
TYPE 8 REPAIR

MID ATLANTIC ENVIRONMENTAL	
EMERGENCY REPAIRS FOR RED HILL TANKS	
Tank #7 RECOMMENDED REPAIR DRAWING	
Repair No.: 037	File: 7R037
LOWER DOME	Quadrant: C
Course: 2 & 3	Plate: 15
Drawn by: Tom Kitchen	Date: 5/4/98

Dames & Moore
Emergency Repairs For Red Hill Tanks at the Fleet Industrial & Supply Center
Contract No. N62742-96-C-1356

Repair Record

Tank No.: 7 Repair No.: 037 Type: 8 Location: C15-2



Sketch of Repair Area

Weld Repair N/A

WPS No.: _____

Welder ID: _____

NDT Performed: Visual _____ Vacuum Box _____ Dye Penetrant _____

Rework Required: _____

Repair Acceptable: _____ Date Accepted: _____

Coating Repair

Coating Type: EPOXY

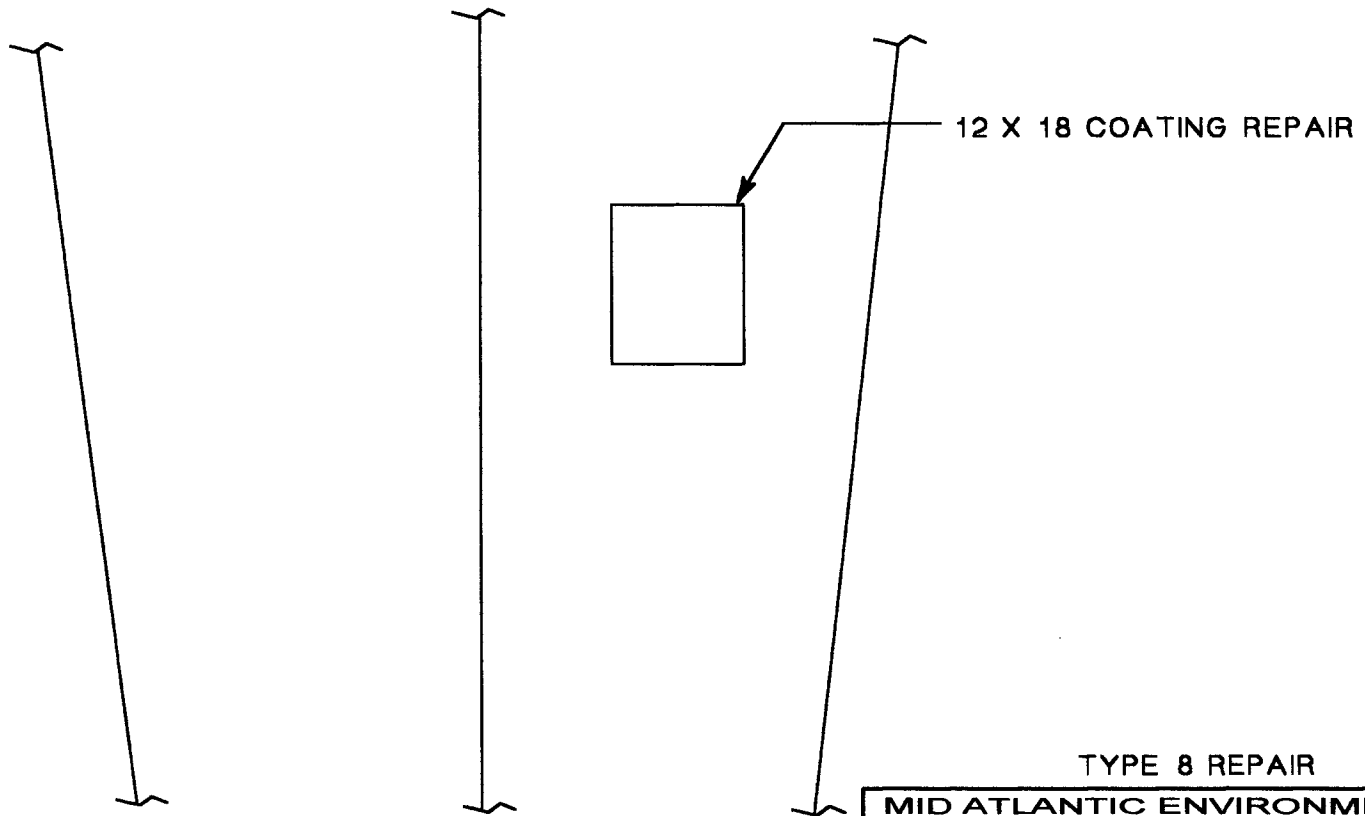
Surface Preparation: Primer Coat: Intermediate Coat: Final Coat:

NDT Performed: Visual: DFT: Average DFT: 15-22 mils

Rework Required: N/A

Repair Acceptable: John Zedell Date Accepted: 4-3-98

Inspected 3/27/98 by JF & TK



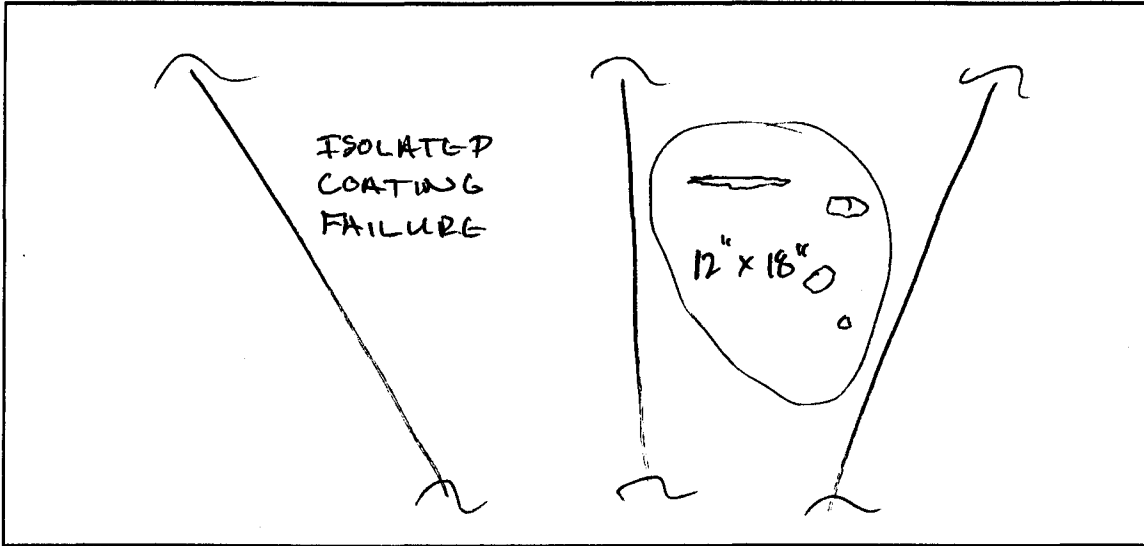
TYPE 8 REPAIR

MID ATLANTIC ENVIRONMENTAL	
EMERGENCY REPAIRS FOR RED HILL TANKS	
Tank #7 RECOMMENDED REPAIR DRAWING	
Repair No. 038	File 7R038
Lower Dome	Quadrant D
Course 2	Plate 21
Drawn by Tom Klitcher	Date 5/4/98

Dames & Moore
Emergency Repairs For Red Hill Tanks at the Fleet Industrial & Supply Center
Contract No. N62742-96-C-1356

Repair Record

Tank No.: 7 Repair No.: 038 Type: 8 Location: D21-2



Sketch of Repair Area

Weld Repair N/A

WPS No.: _____

Welder ID: _____

NDT Performed: Visual _____ Vacuum Box _____ Dye Penetrant _____

Rework Required: _____

Repair Acceptable: _____ Date Accepted: _____

Coating Repair

Coating Type: EPOXY

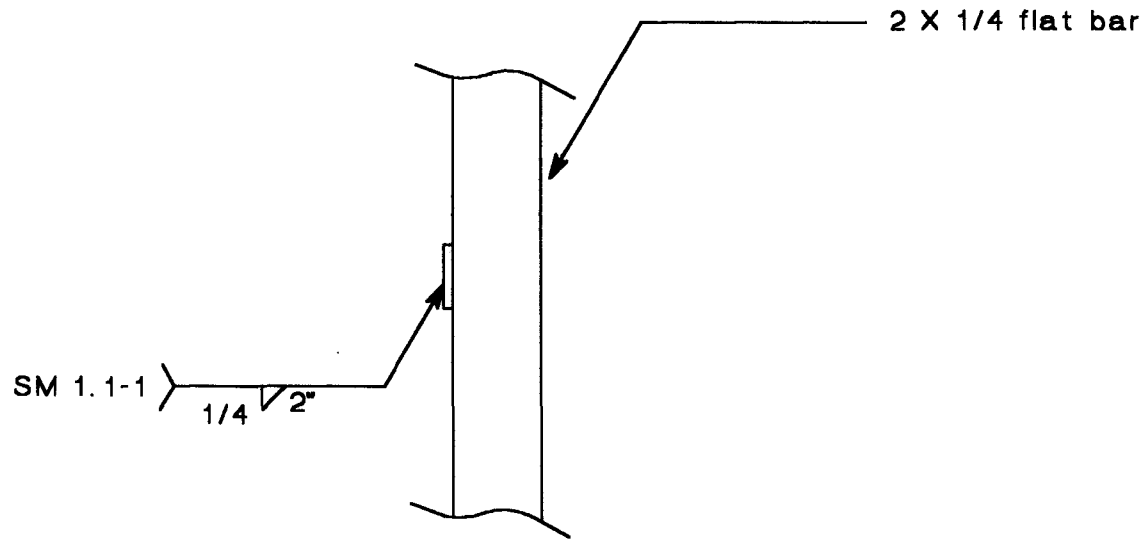
Surface Preparation: Primer Coat: Intermediate Coat: Final Coat:

NDT Performed: Visual: DFT: Average DFT: 15-22 mils

Rework Required: N/A

Repair Acceptable: John Zschell Date Accepted: 4-3-98

Inspected 3/28/98 by JF & TK



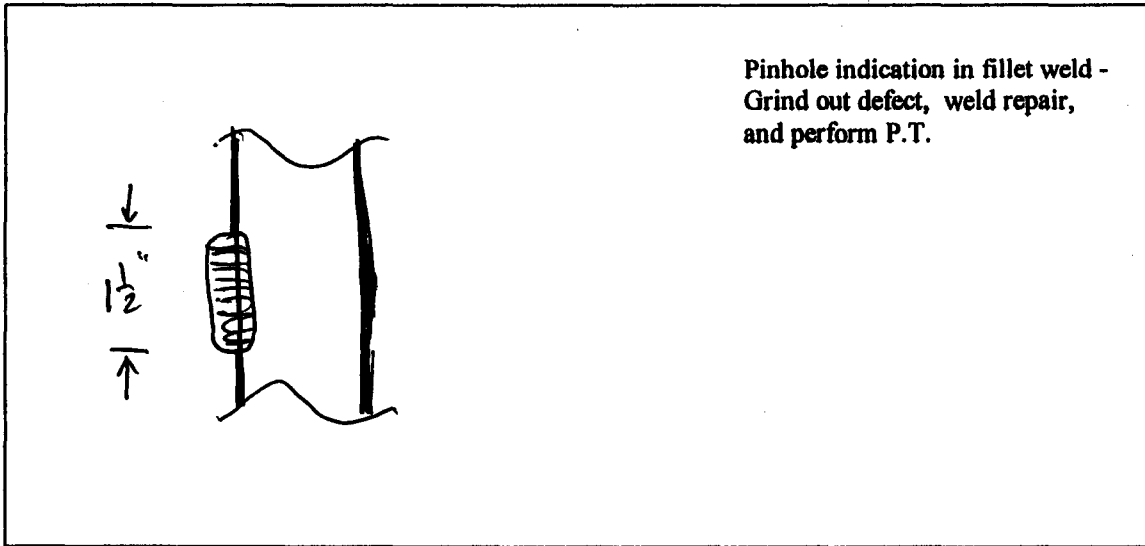
TYPE 10 REPAIR

MID ATLANTIC ENVIRONMENTAL	
EMERGENCY REPAIRS FOR RED HILL TANKS	
Tank #7 RECOMMENDED REPAIR DRAWINGS	
Repair No. 039	File 7R039
Upper Dome	Quadrant A
Course B	Plate 3
Drawn by Tom Klitcher	Date 5/4/98

Dames & Moore
Emergency Repairs For Red Hill Tanks at the Fleet Industrial & Supply Center
Contract No. N62742-96-C-1356

Repair Record

Tank No.: 7 Repair No.: 039 Type: 10 Location: A3-B



Sketch of Repair Area

Weld Repair

WPS No.: SM 1.1-1

Welder ID: John Walsh

NDT Performed: Visual Vacuum Box Dye Penetrant

Rework Required: N/A

Repair Acceptable: John Zubell Date Accepted: 4-15-98

Coating Repair

Coating Type: Epoxy

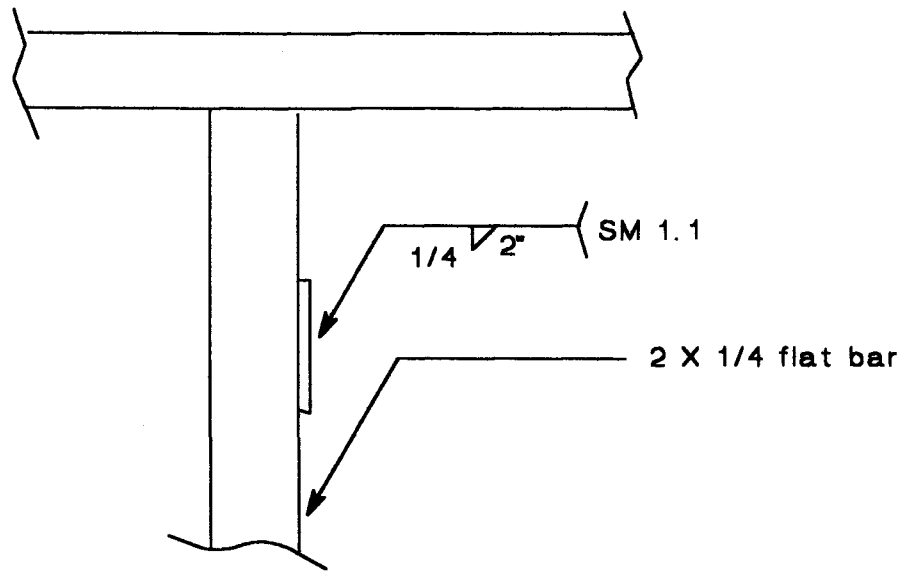
Surface Preparation: Primer Coat: Intermediate Coat: Final Coat:

NDT Performed: Visual: DFT: Average DFT: 8-15 mils

Rework Required: N/A

Repair Acceptable: John Zubell Date Accepted: 4-17-98

INSPECTED 3/29/98 BY JF & TK



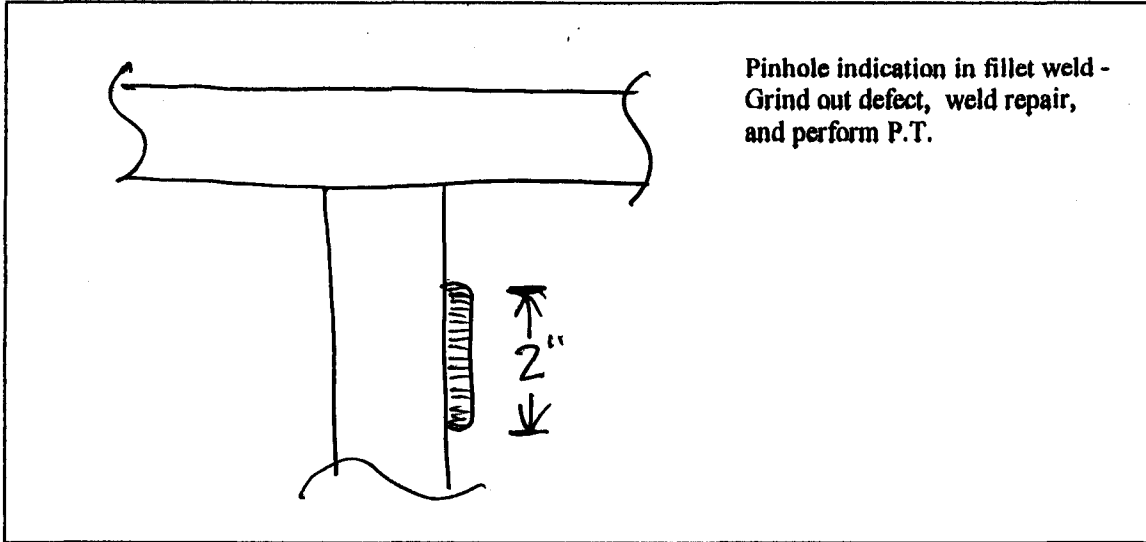
TYPE 10 REPAIR

MID ATLANTIC ENVIRONMENTAL	
EMERGENCY REPAIRS FOR RED HILL TANKS	
Tank #7 RECOMMENDED REPAIR DRAWINGS	
Repair No.: 040	File: 7r040
Upper Dome	Quadrant: A
Course: B	Plate: 9
Drawn by: Tom Kitchen	Date: 5/4/98

Dames & Moore
Emergency Repairs For Red Hill Tanks at the Fleet Industrial & Supply Center
Contract No. N62742-96-C-1356

Repair Record

Tank No.: 7 Repair No.: 040 Type: 10 Location: B9-A



Sketch of Repair Area

Weld Repair

WPS No.: SM1.1-1

Welder ID: John Walsh

NDT Performed: Visual Vacuum Box Dye Penetrant

Rework Required: N/A

Repair Acceptable: John Zibell

Date Accepted: 4.15.98

Coating Repair

Coating Type: Epoxy

Surface Preparation: Primer Coat: Intermediate Coat: Final Coat:

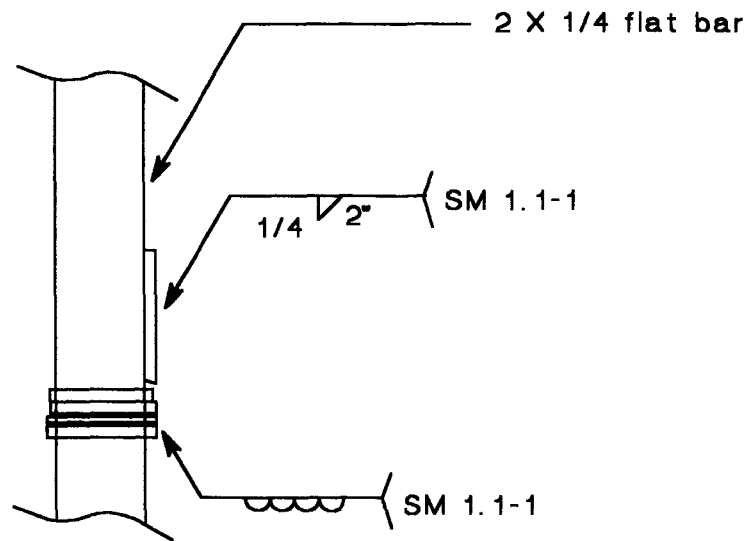
NDT Performed: Visual: DFT: Average DFT: 8-15 mils

Rework Required: N/A

Repair Acceptable: John Zibell

Date Accepted: 4-17-98

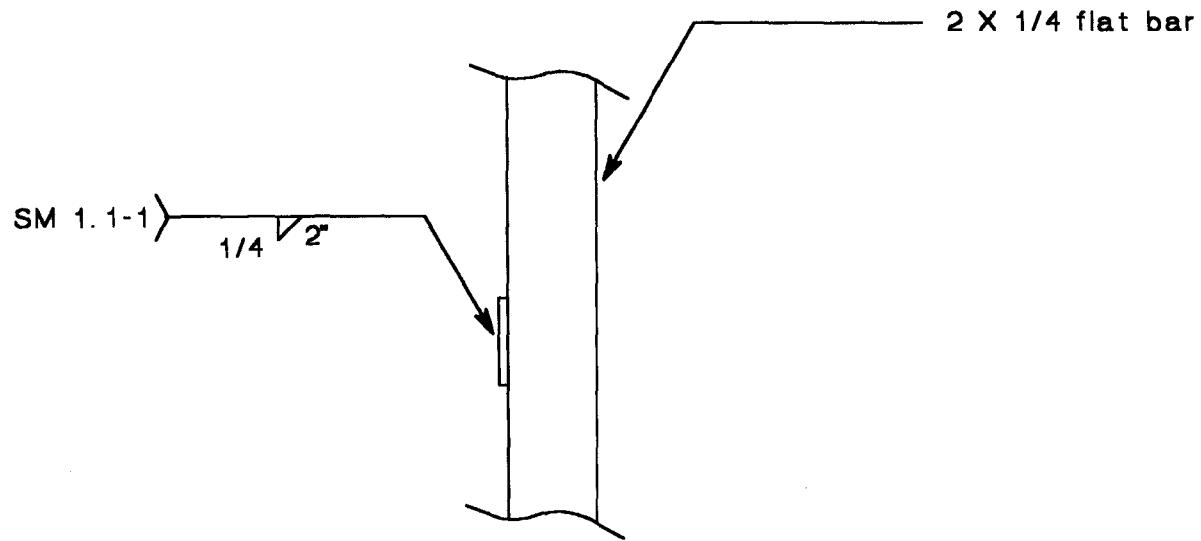
INSPECTED 3/27/98 BY JF & TK



TYPE 10 REPAIR

MID ATLANTIC ENVIRONMENTAL	
EMERGENCY REPAIRS FOR RED HILL TANKS	
Tank #7 RECOMMENDED REPAIR DRAWINGS	
Repair No. : 041	File: 7r041
Upper Dome	Quadrant: a
Course: 7	Plate: 2
Drawn by: Tom Kitchen	Date: 5/4/98

Inspected 3/27/98 by JF & TK



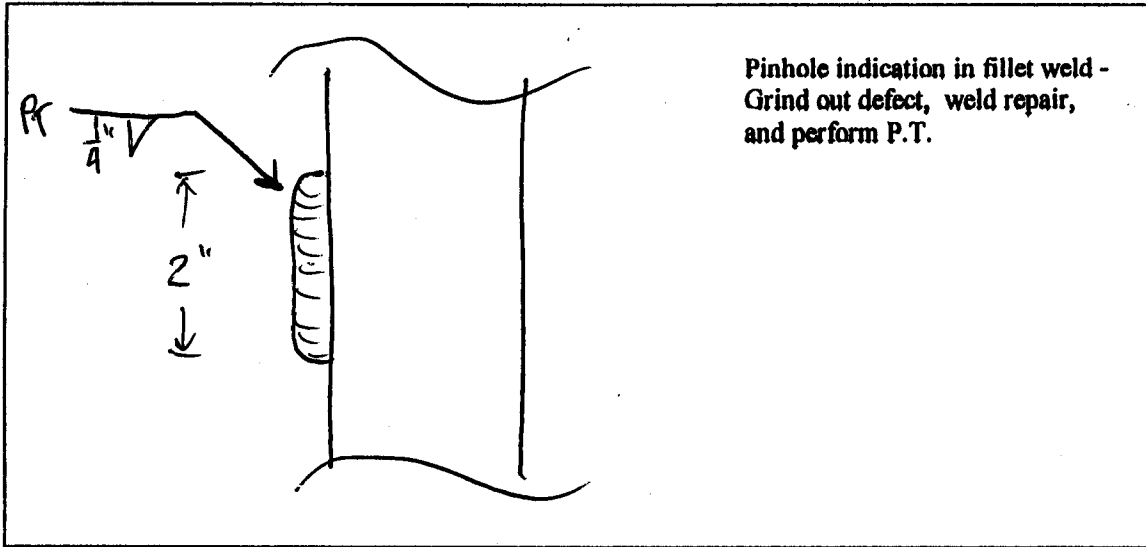
TYPE 10 REPAIR

MID ATLANTIC ENVIRONMENTAL	
EMERGENCY REPAIRS FOR RED HILL TANKS	
Tank #7 RECOMMENDED REPAIR DRAWINGS	
Repair No.: 042	File: 7R042
Upper Dome	Quadrant: A
Course: A	Plate: 3
Drawn by: Tom Kitchen	Date: 5/4/98

Dames & Moore
Emergency Repairs For Red Hill Tanks at the Fleet Industrial & Supply Center
Contract No. N62742-96-C-1356

Repair Record

Tank No.: 7 Repair No.: 042 Type: 10 Location: A3-A



Sketch of Repair Area

Weld Repair

WPS No.: SM 1.1-1

Welder ID: John Walsh

NDT Performed: Visual Vacuum Box Dye Penetrant

Rework Required: N/A

Repair Acceptable: John Zschell Date Accepted: 4-15-98

Coating Repair

Coating Type: EPOXY

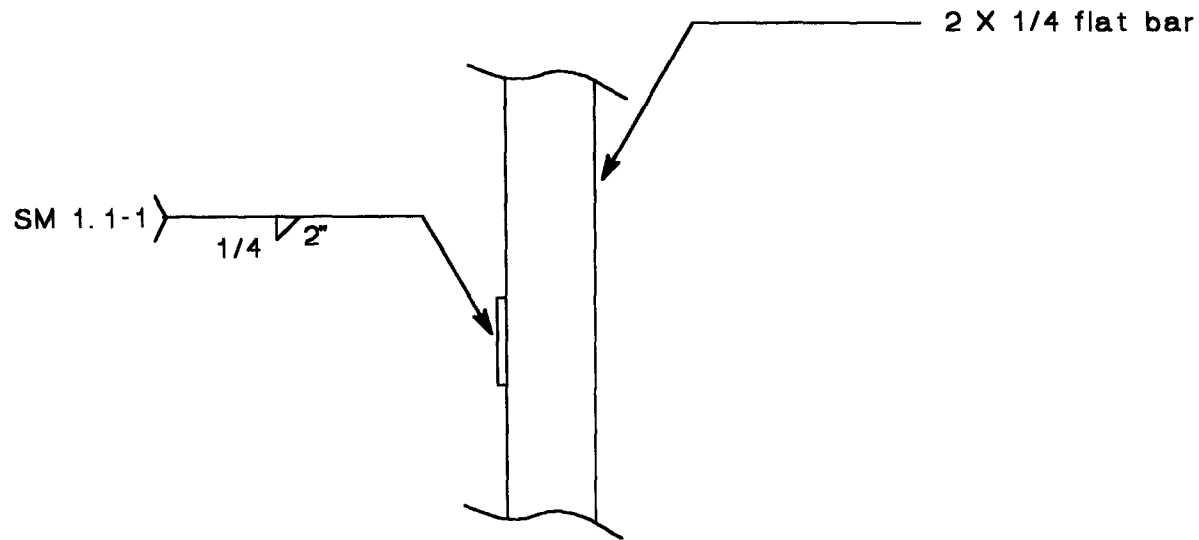
Surface Preparation: Primer Coat: Intermediate Coat: Final Coat:

NDT Performed: Visual: DFT: Average DFT: 8-15 mils

Rework Required: N/A

Repair Acceptable: John Zschell Date Accepted: 4-17-98

Inspected 3/27/98 by JF & TK



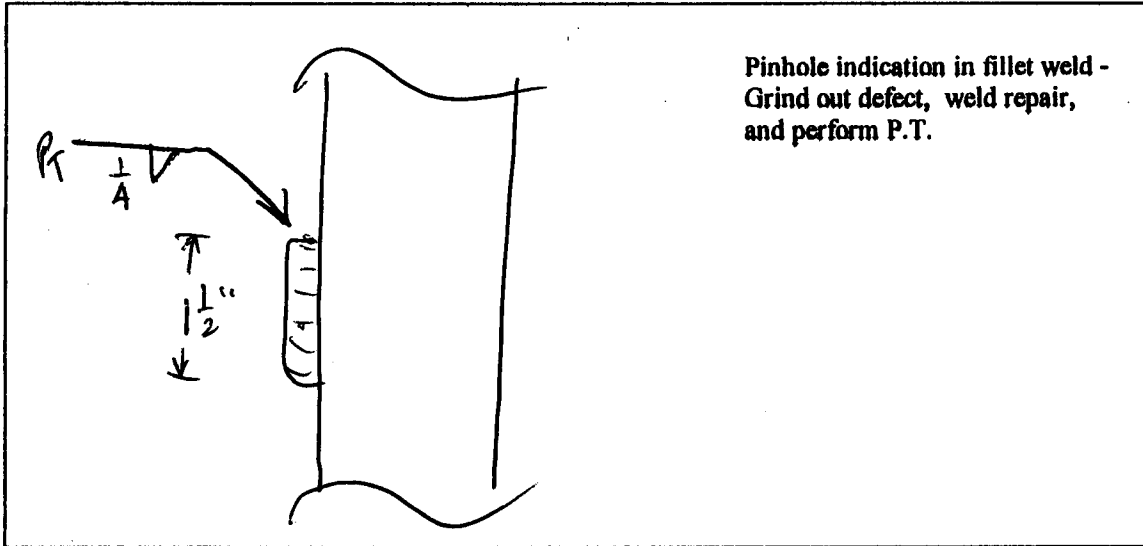
TYPE 10 REPAIR

MID ATLANTIC ENVIRONMENTAL	
EMERGENCY REPAIRS FOR RED HILL TANKS	
Tank #7 RECOMMENDED REPAIR DRAWINGS	
Repair No. : 043	File: 7R043
Upper Dome	Quadrant: A
Course: A	Plate: 3
Drawn by: Tom Kitchen	Date: 5/4/98

Dames & Moore
Emergency Repairs For Red Hill Tanks at the Fleet Industrial & Supply Center
Contract No. N62742-96-C-1356

Repair Record

Tank No.: 7 Repair No.: 043 Type: 10 Location: A3-A



Sketch of Repair Area

Weld Repair

WPS No.: SM1.1-1

Welder ID: John Walsh

NDT Performed: Visual Vacuum Box Dye Penetrant

Rework Required: N/A

Repair Acceptable: John Zschell Date Accepted: 4-15-98

Coating Repair

Coating Type: EPOXY

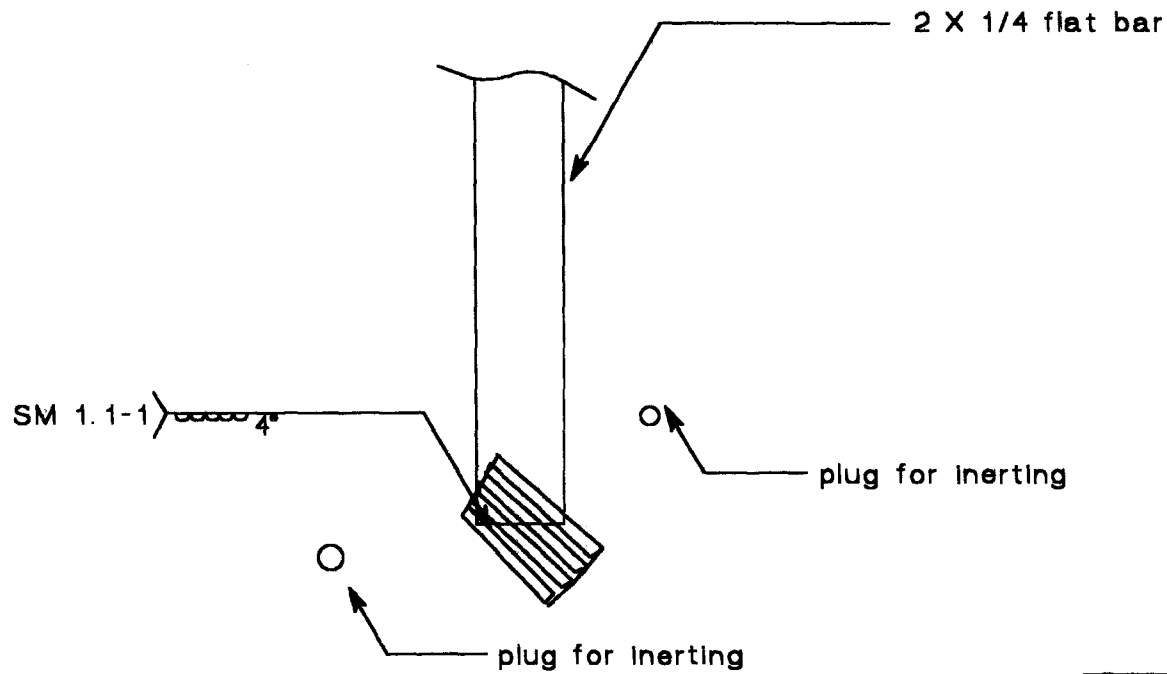
Surface Preparation: Primer Coat: Intermediate Coat: Final Coat:

NDT Performed: Visual: DFT: Average DFT: 8-15 mls

Rework Required: N/A

Repair Acceptable: John Zschell Date Accepted: 4-17-98

Inspected 3/27/98 by JF & TK



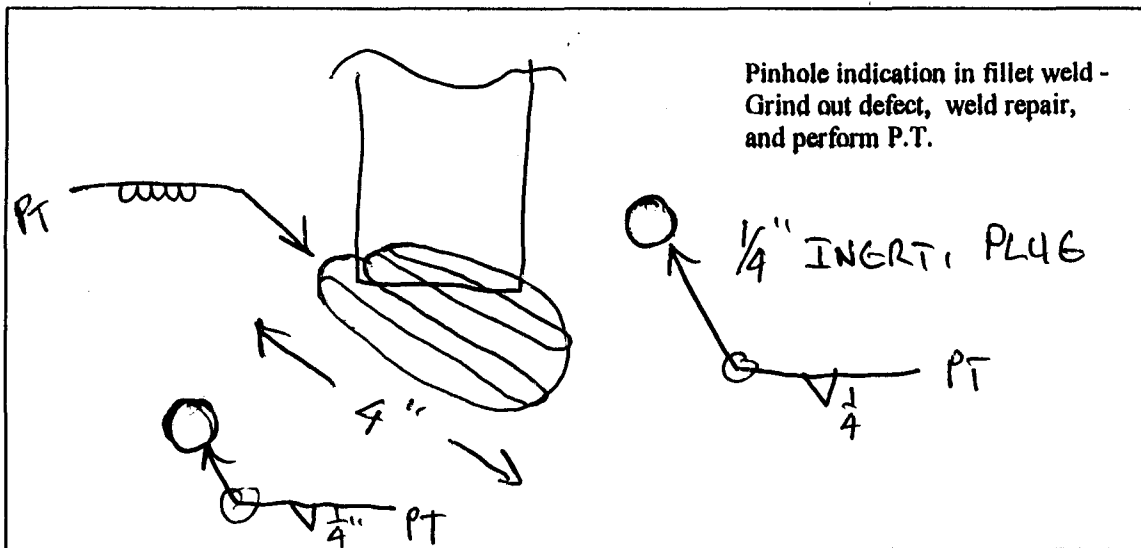
TYPE 10 REPAIR

MID ATLANTIC ENVIRONMENTAL	
EMERGENCY REPAIRS FOR RED HILL TANKS	
Tank #7 RECOMMENDED REPAIR DRAWINGS	
Repair No.: 044	File: 7R044
Upper Dome	Quadrant: A
Course: A	Plate: 3
Drawn by: Tom Kitchen	Date: 5/4/98

Dames & Moore
Emergency Repairs For Red Hill Tanks at the Fleet Industrial & Supply Center
Contract No. N62742-96-C-1356

Repair Record

Tank No.: 7 Repair No.: 044 Type: 10 Location: A3-A



Sketch of Repair Area

Weld Repair

WPS No.: SM 1.1-1

Welder ID: John Walsh

NDT Performed:

Visual

Vacuum Box

Dye Penetrant

Rework Required: N/A

Repair Acceptable: John Zschell

Date Accepted: 4-15-98

Coating Repair

Coating Type: EPOXY

Surface Preparation: Primer Coat: Intermediate Coat: Final Coat:

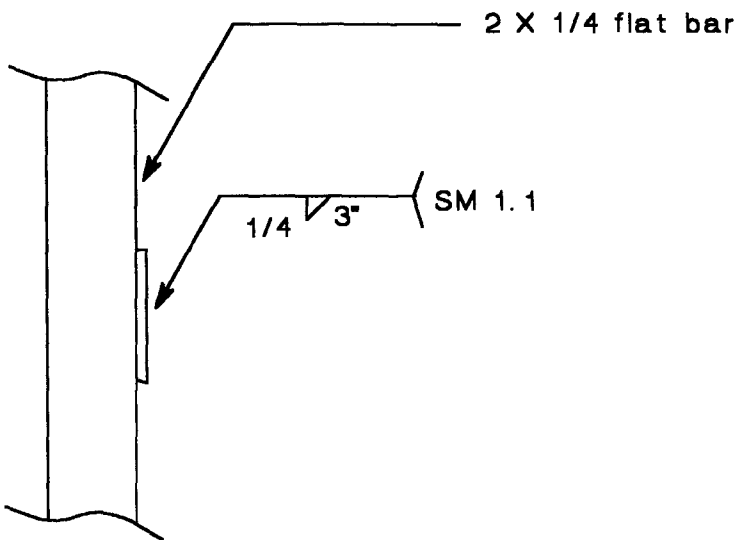
NDT Performed: Visual: DFT: Average DFT: 8-15 mls

Rework Required: N/A

Repair Acceptable: John Zschell

Date Accepted: 4-17-98

INSPECTED 3/27/98 BY JF & TK



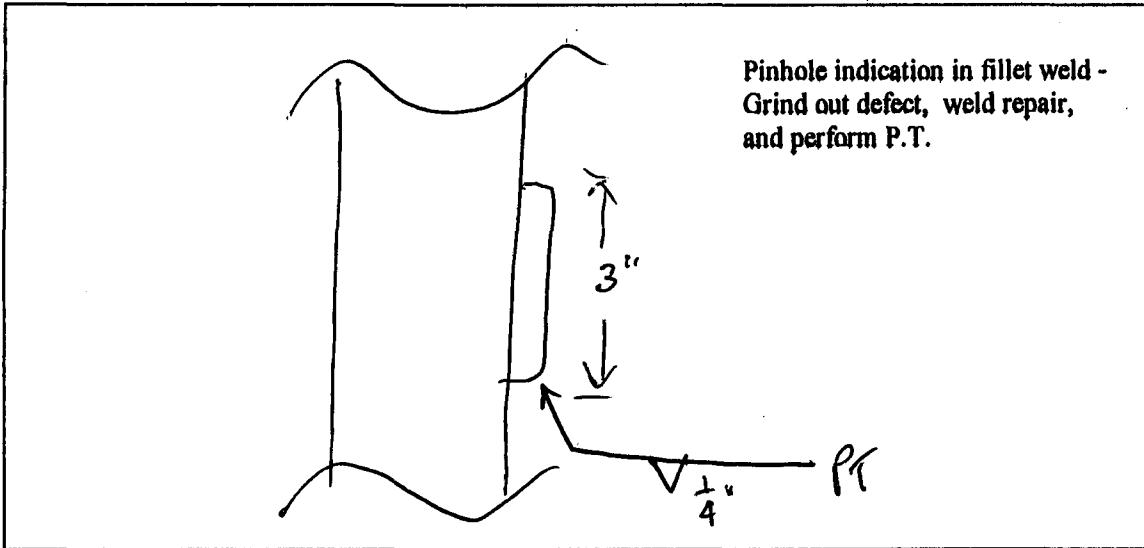
TYPE 10 REPAIR

MID ATLANTIC ENVIRONMENTAL	
EMERGENCY REPAIRS FOR RED HILL TANKS	
Tank #7 RECOMMENDED REPAIR DRAWINGS	
Repair No.: 045	File: 7r045
Upper Dome	Quadrant: A
Course: A	Plate: 4
Drawn by: Tom Kitchen	Date: 5/4/98

Dames & Moore
Emergency Repairs For Red Hill Tanks at the Fleet Industrial & Supply Center
Contract No. N62742-96-C-1356

Repair Record

Tank No.: 7 Repair No.: 045 Type: 10 Location: A4-A



Sketch of Repair Area

Weld Repair

WPS No.: SM 1.1-1

Welder ID: John Walsh

NDT Performed: Visual Vacuum Box Dye Penetrant

Rework Required: N/A

Repair Acceptable: John Zschell

Date Accepted: 4-15-98

Coating Repair

Coating Type: EPOXY

Surface Preparation: Primer Coat: Intermediate Coat: Final Coat:

NDT Performed: Visual: DFT: Average DFT: 8-15 m.l.s

Rework Required: N/A

Repair Acceptable: John Zschell

Date Accepted: 4-17-98